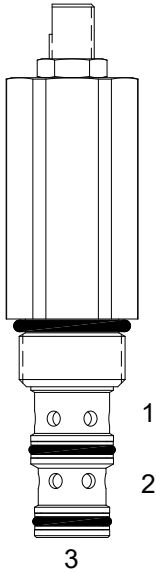


DF-FAP FULLY ADJUSTABLE PRIORITY FLOW CONTROL VALVE WITH BYPASS



DESCRIPTION

10 size, 7/8-14 thread, "Delta" series, fully adjustable priority flow control valve with bypass.

OPERATION

The DF-FAP allows pressure compensated flow from (3) to (1), regulated by the pressure present at (3). Excess flow bypasses out (2). Can be used as a restrictive pressure compensated flow control when the bypass port (2) is blocked.

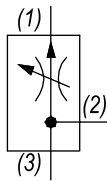
FEATURES

- Hardened cage and spool for long life.
- Industry common cavity.



When used as a bypass flow control in applications where the priority flow port will be blocked by external valving, bypass pressure drop will increase unless a small amount of leakage is provided for the priority port. Consult factory.

HYDRAULIC SYMBOL

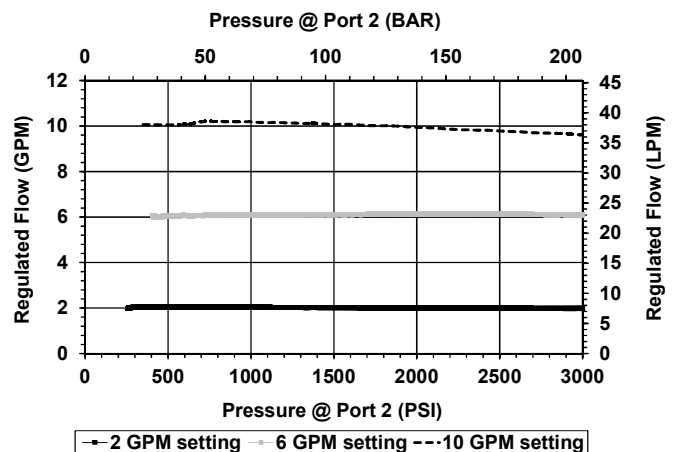
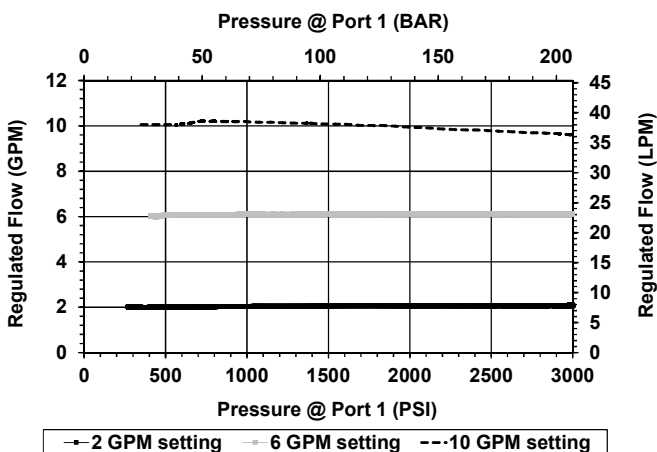


PERFORMANCE

Actual Test Data (Cartridge Only)

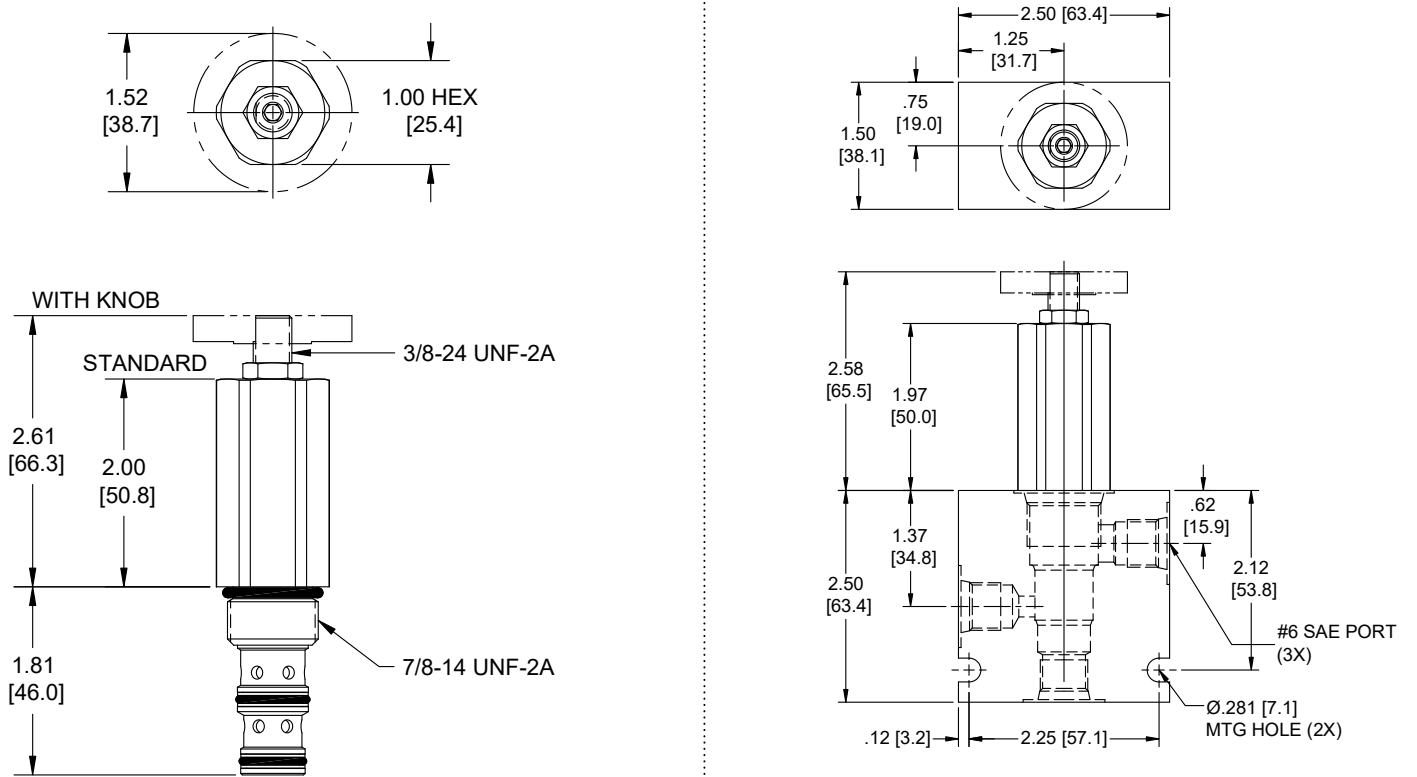
VALVE SPECIFICATIONS

Max Regulated Flow	10 GPM (38 LPM)
Rated Operating Pressure	3000 PSI (207 bar)
Viscosity Range	36 to 3000 SSU (3 to 647 cSt)
Filtration	ISO 18/16/13
Media Operating Temp. Range	-40° to 250°F (-40° to 120°C)
Weight	.40 lbs (.18 kg)
Operating Fluid Media	General Purpose Hydraulic Fluid
Cartridge Torque Requirements	30 ft-lbs (40.6 Nm)
Cavity	DELTA 3W
Cavity Form Tool (Finishing)	40500001
Seal Kit	21191210



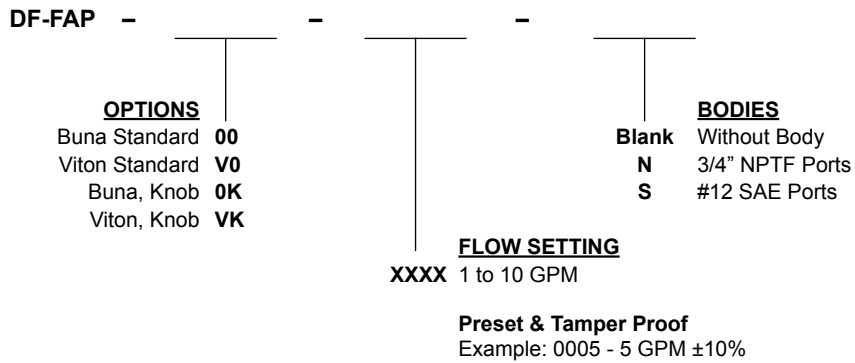
WARNING: the specifications/application data shown in our catalogs and data sheets are intended only as a general guide for the product described (herein). Any specific application should not be undertaken without independent study, evaluation, and testing for suitability.

DIMENSIONS



Body Weight: .60 lbs (.27 kg)

ORDERING INFORMATION



W 8/2023

WARNING: the specifications/application data shown in our catalogs and data sheets are intended only as a general guide for the product described (herein). Any specific application should not be undertaken without independent study, evaluation, and testing for suitability.