

PP-FCQ ADJUSTABLE PRIORITY FLOW CONTROL VALVE

DESCRIPTION

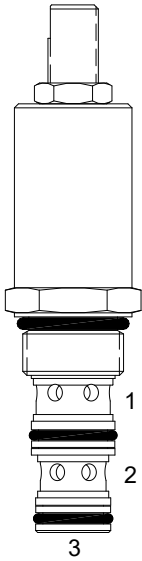
8 size, 3/4-16 thread, "Power" series, adjustable priority flow control valve.

OPERATION

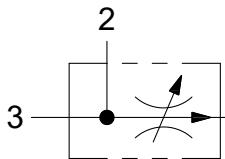
The PP-FCQ allows pressure compensated flow from (3) to (1) regulated by the pressure present at (3). Excess flow bypasses out (2).

FEATURES

- Hardened parts for long life.
- Industry common cavity.



HYDRAULIC SYMBOL



Test data shown on this sheet, for condition of port (2) to tank. Data on next page, for condition of port (3) to tank.

PERFORMANCE

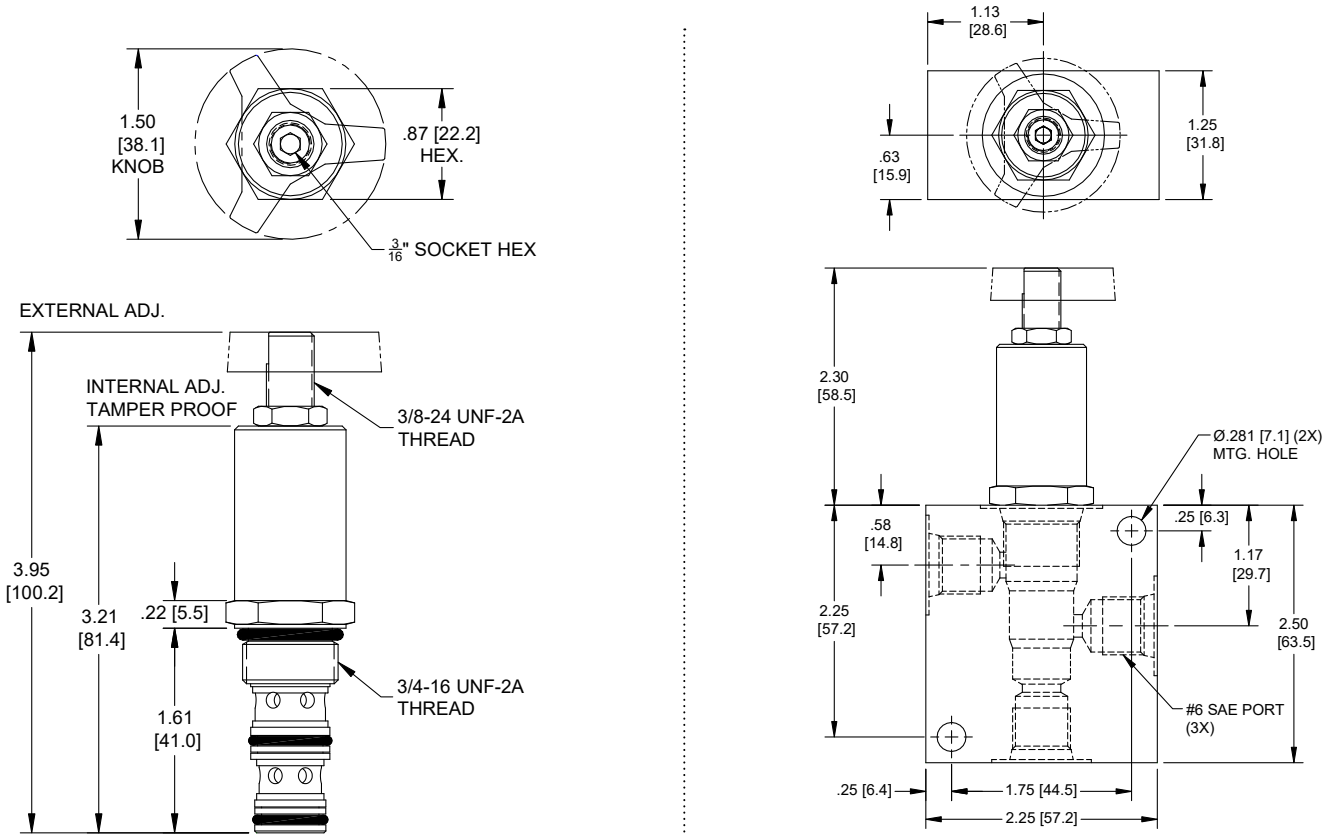
Actual Test Data (Cartridge Only)

VALVE SPECIFICATIONS

Nominal Flow	5 GPM (19 LPM)
Rated Operating Pressure	3500 PSI (241 bar)
Viscosity Range	36 to 3000 SSU (3 to 647 cSt)
Filtration	ISO 18/16/13
Media Operating Temp. Range	-40° to 250°F (-40° to 120°C)
Weight	.56 lbs (.25 kg)
Operating Fluid Media	General Purpose Hydraulic Fluid
Cartridge Torque Requirements	25 ft-lbs (33.8 Nm)
Cavity	POWER 3W
Cavity Form Tool (Finishing)	40500024
Seal Kit	21191106

WARNING: the specifications/application data shown in our catalogs and data sheets are intended only as a general guide for the product described (herein). Any specific application should not be undertaken without independent study, evaluation, and testing for suitability.

DIMENSIONS



Body Weight: .56 lbs (.25 kg)

ORDERING INFORMATION

PP-FCQ -		-	-	-	-
		OPTIONS		BODIES	
External Adjust w/Locknut, Buna	00			Blank	Without Body
External Adjust w/Locknut, Viton	V0			N	1/4" NPTF Ports
Knob, Buna	0K			S	#6 SAE Ports
Knob, Viton	VK				
Internal Adjust, Buna	0I				
Internal Adjust, Viton	VI				
Tamper Proof, Buna	0T				
Tamper Proof, Viton	VT				
				FLOW	
		0.50	.25 - .50 GPM		
		0.75	.50 - .75 GPM		
		1.25	.75 - 1.25 GPM		
		2.50	1.25 - 2.50 GPM		
		5.00	2.50 - 5.00 GPM		

Tamper Proof
 Fill in 4 Digit Flow Setting
 Example: 01.0 - 1.0 GPM