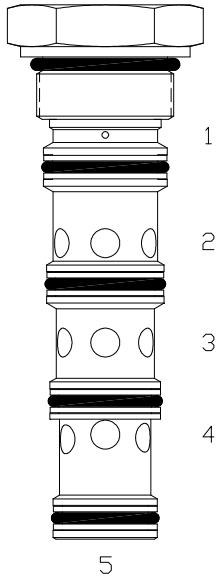


**SO-PDS STEERING PRIORITY FLOW CONTROL VALVE WITH STATIC LOAD SENSE**



**DESCRIPTION**

16 size, 1 5/16-12 thread, "Super" series, steering priority flow control valve with static load sense.

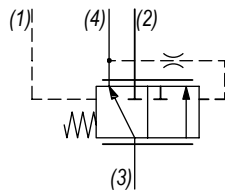
**OPERATION**

The SO-PDS allows priority flow from (3) to (4) regardless of load pressure at either port (2) or port (4). Excess flow bypasses out (2). Port (1) is the load sense port.

**FEATURES**

- Hardened cage and spool for long life.
- Industry common cavity.

**HYDRAULIC SYMBOL**



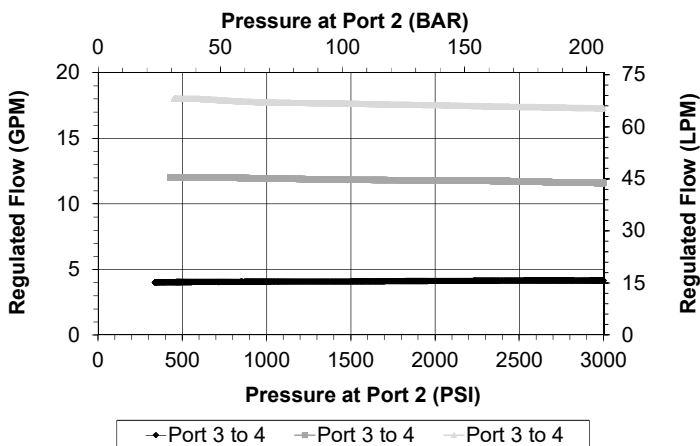
**VALVE SPECIFICATIONS**

Max Regulated Flow	20 GPM (76 LPM)
Rated Operating Pressure	3000 PSI (207 bar)
Viscosity Range	36 to 3000 SSU (3 to 647 cSt)
Filtration	ISO 18/16/13
Media Operating Temp. Range	-40° to 250°F (-40° to 120°C)
Weight	1.05 lbs (.48 kg)
Operating Fluid Media	General Purpose Hydraulic Fluid
Cartridge Torque Requirements	90 ft-lbs (122 Nm)
Cavity	SUPER 5WS
Cavity Form Tool (Finishing)	40500020
Seal Kit	21191410

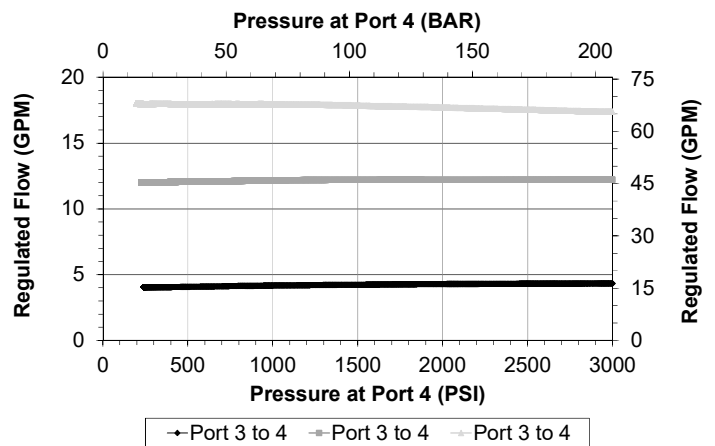
**PERFORMANCE**

Actual Test Data (Cartridge Only)

Bypass port 2 loaded, priority port 4 unloaded

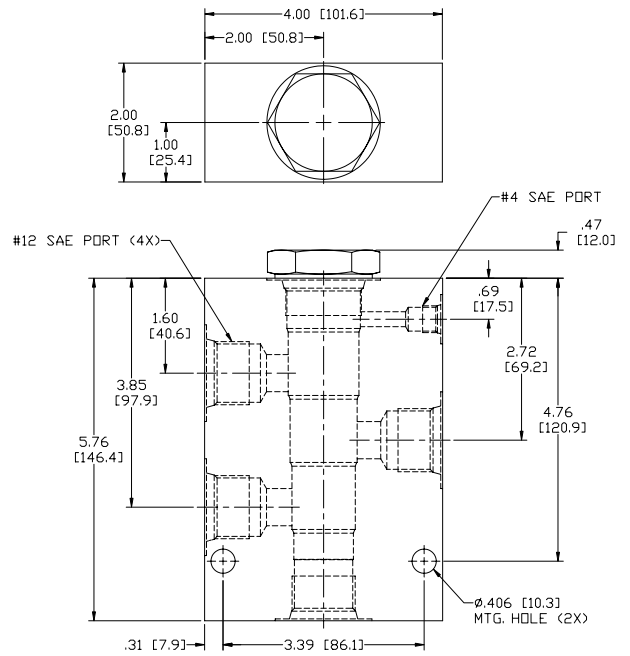
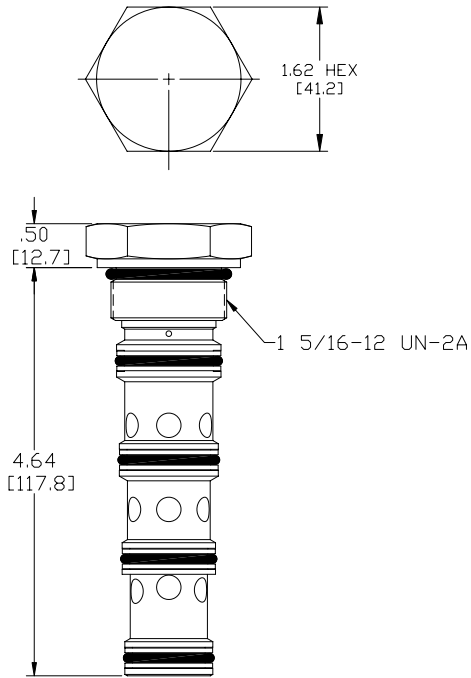


Priority port 4 loaded, bypass port 2 unloaded



**WARNING:** the specifications/application data shown in our catalogs and data sheets are intended only as a general guide for the product described (herein). Any specific application should not be undertaken without independent study, evaluation, and testing for suitability.

**DIMENSIONS**



Body Weight: 3.76 lbs (1.62 kg)

**ORDERING INFORMATION**

