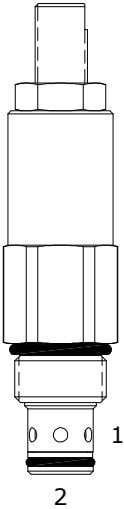


DE-RVA DIRECT ACTING RELIEF VALVE



DESCRIPTION

10 size, 7/8-14 thread, "Delta" series, direct acting relief valve.

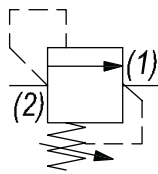
OPERATION

The DE-RVA blocks flow from (2) to (1) until sufficient pressure is present at (2) to force the poppet to open and allow metered flow from (2) to (1). The cartridge offers smooth transition in response to load changes in common hydraulic circuits.

FEATURES

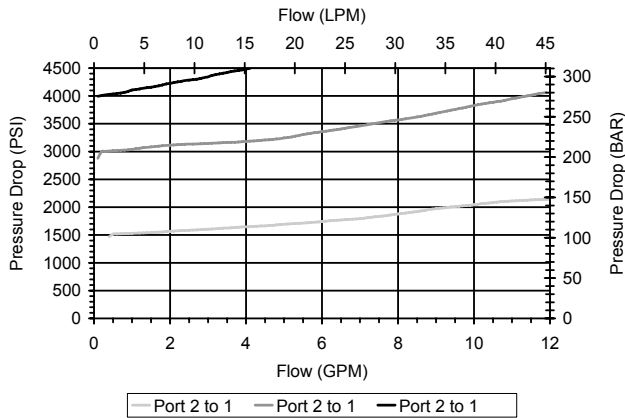
- Hardened parts for long life.
- Industry common cavity.

HYDRAULIC SYMBOL



PERFORMANCE

Actual Test Data (Cartridge Only)



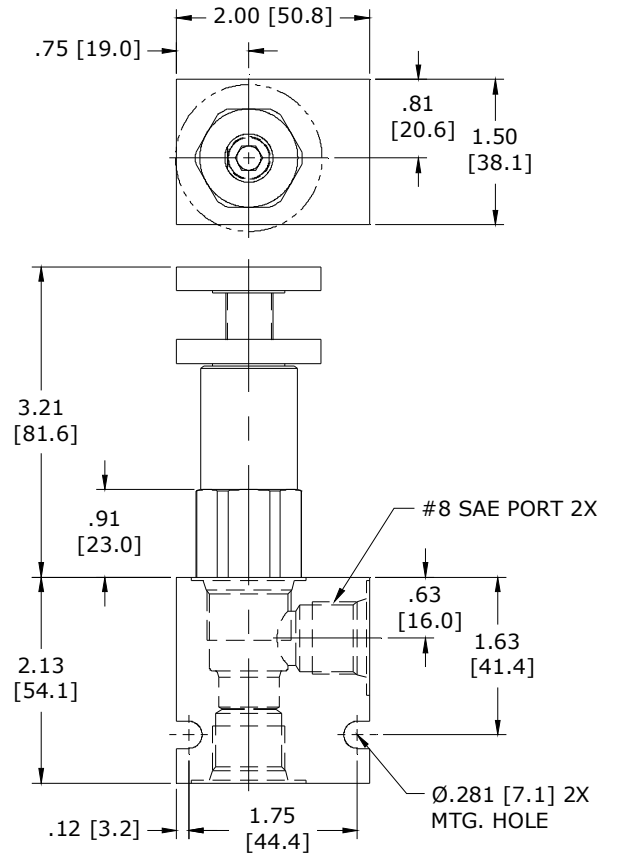
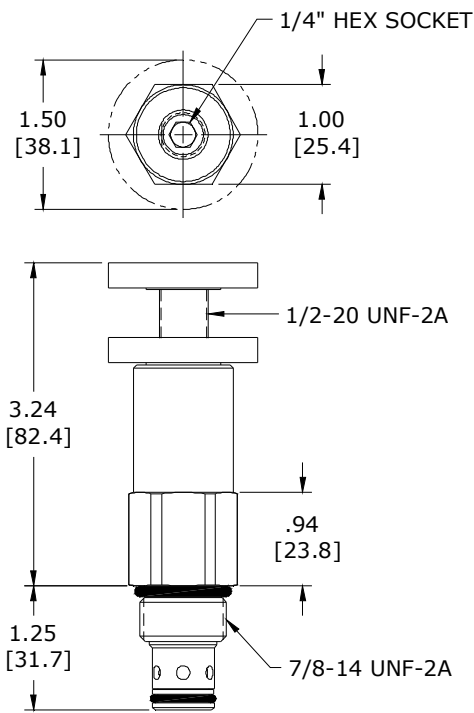
VALVE SPECIFICATIONS

Nominal Flow	4 GPM (15 LPM) 4000 PSI
	8 GPM (30 LPM) 3000 PSI
Rated Operating Pressure	4000 PSI (276 bar)
Viscosity Range	36 to 3000 SSU (3 to 647 cSt)
Filtration	ISO 18/16/13
Media Operating Temp. Range	-40° to 250°F (-40° to 120°C)
Weight	.56 lbs (.25 kg)
Operating Fluid Media	General Purpose Hydraulic Fluid
Cartridge Torque Requirements	30 ft-lbs (40.6 Nm)
Cavity	DELTA 2W
Cavity Form Tool (Finishing)	40500000
Seal Kit	21191200

WARNING: the specifications/application data shown in our catalogs and data sheets are intended only as a general guide for the product described (herein). Any specific application should not be undertaken without independent study, evaluation, and testing for suitability.

Via Malavolti, 36 - 41122 Modena - ITALY - Phone +39 (059) 254895 - Fax +39 (059) 253512 - mail: tecnord@tecnord.com - www.tecnord.com

DIMENSIONS



Body Weight: .47 lbs (.21 kg)

ORDERING INFORMATION

DE-RVA -		-	-	-	-
OPTIONS					BODIES
Buna Standard	00				Blank Without Body
Viton Standard	V0				N 3/8" NPTF Ports
Buna, Knob	0K				S #8 SAE Ports
Viton, Knob	VK				
				PRESSURE RANGE/SETTING	
1500				200 - 1500 PSI	
3000				1500 - 3000 PSI	
4000				2500 - 4000 PSI	

WARNING: the specifications/application data shown in our catalogs and data sheets are intended only as a general guide for the product described (herein). Any specific application should not be undertaken without independent study, evaluation, and testing for suitability.