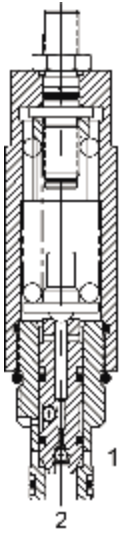


**DE-RVC CROSSOVER RELIEF VALVE, FOR SERIES CIRCUITS**



**DESCRIPTION**

10 size, 7/8-14 thread, "Delta" series, crossover relief valve for series circuit application.

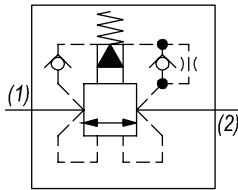
**OPERATION**

The DE-RVC is a direct-acting, cross over relief valve. When pressure at either port exceeds the nominal setting value, flow will be diverted to the opposite port. Back pressure at either port will affect the nominal setting of the opposite port on a 1:1 basis. For correlation purposes, pre-set value will be measured at port (2). Pressure at port (1) will not vary more than ±300 PSI from the port (2) value. The cartridge offers smooth transition in response to load changes in common hydraulic circuits.

**FEATURES**

- Hardened parts for long life.
- Industry common cavity.

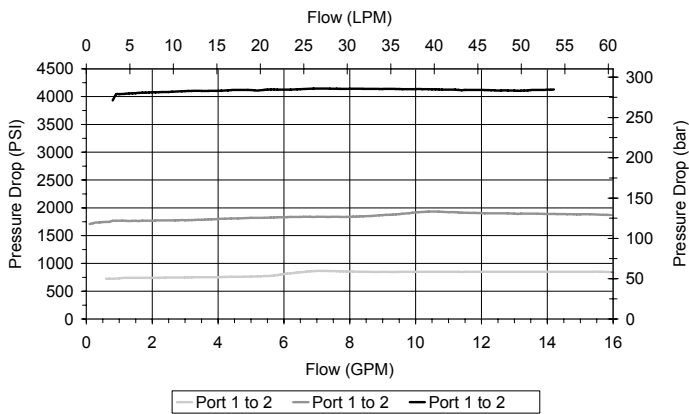
**HYDRAULIC SYMBOL**



The DE-RVC is designed for series circuit applications with controlled leakage between ports (2) and (1). For parallel circuits, use DE-RVB.

**PERFORMANCE**

Actual Test Data (Cartridge Only)

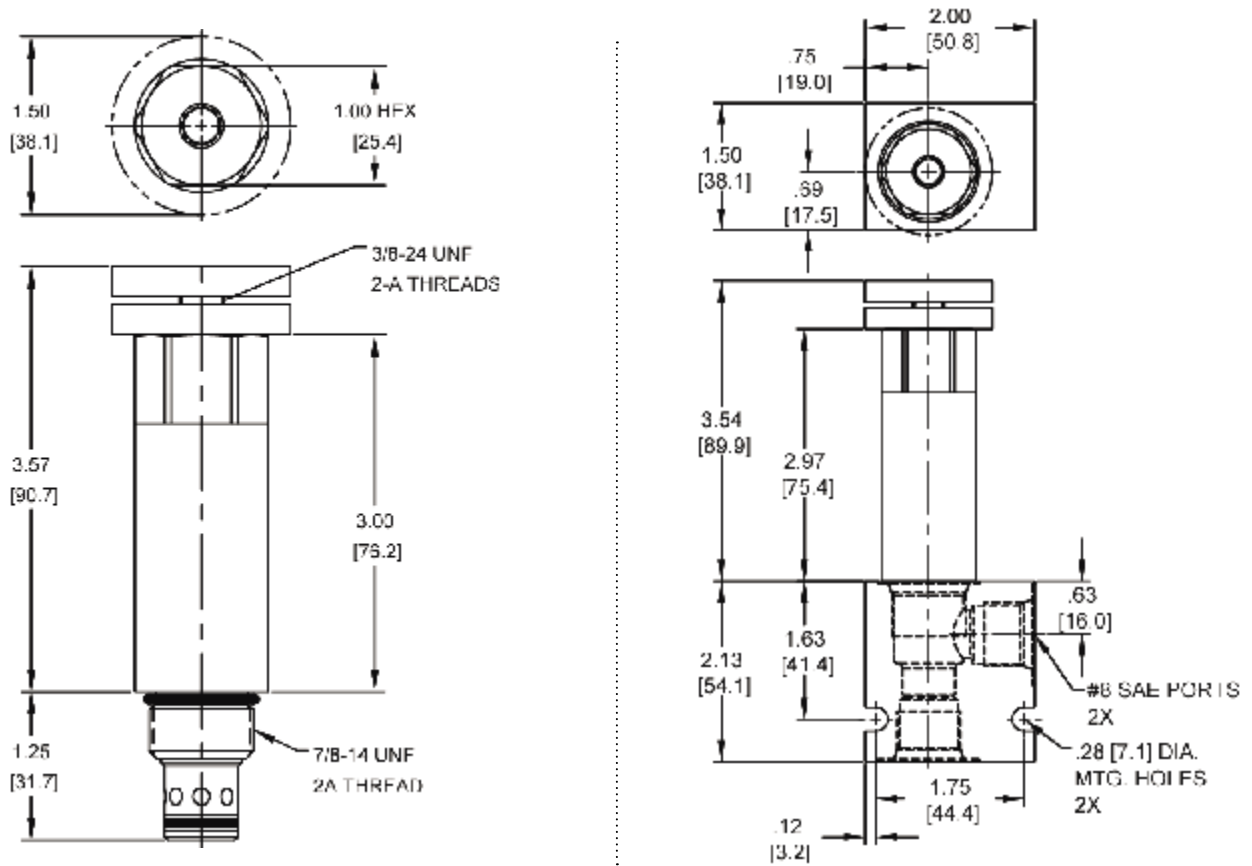


**VALVE SPECIFICATIONS**

Nominal Flow	15 GPM (57 LPM) from (2) to (1) 20 GPM (76 LPM) from (1) to (2)
Rated Operating Pressure	4000 PSI (276 bar)
Viscosity Range	36 to 3000 SSU (3 to 647 cSt)
Filtration	ISO 18/16/13
Media Operating Temp. Range	-40° to 250°F (-40° to 120°C)
Weight	.80 lbs (.36 kg)
Operating Fluid Media	General Purpose Hydraulic Fluid
Cartridge Torque Requirements	30 ft-lbs (40.6 Nm)
Cavity	DELTA 2W
Cavity Form Tool (Finishing)	40500000
Seal Kit	21191202

**WARNING:** the specifications/application data shown in our catalogs and data sheets are intended only as a general guide for the product described (herein). Any specific application should not be undertaken without independent study, evaluation, and testing for suitability.

DIMENSIONS



Body Weight: .47 lbs (.21 kg)

ORDERING INFORMATION

<p><b>DE-RVC</b> -</p> <p style="text-align: center;"><u>OPTIONS</u></p> <p>Buna Standard <b>00</b></p> <p>Viton Standard <b>V0</b></p> <p>Buna, Knob <b>0K</b></p> <p>Viton, Knob <b>VK</b></p> <p>Buna, Internal Adjust <b>0I</b></p> <p>Viton, Internal Adjust <b>VI</b></p> <p>Buna, Tamper Proof <b>0T</b></p> <p>Viton, Tamper Proof <b>VT</b></p>	<p style="text-align: center;"><u>BODIES</u></p> <p>Blank Without Body</p> <p><b>N</b> 3/8" NPTF Ports</p> <p><b>S</b> #8 SAE Ports</p>
--	---

**PRESSURE RANGE/SETTING**  
 Ext./Int. Adjustable

**0700** 100 - 700 PSI

**1800** 500 - 1800 PSI

**4000** 1000 - 4000 PSI

**Tamper Proof**  
 Fill in 4 Digit Pressure Setting  
 Example: 0500 - 500 PSI