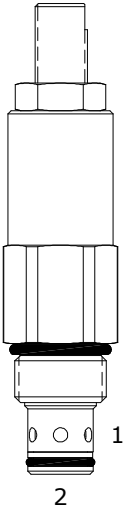


DE-RVR PILOT OPERATED RELIEF VALVE, WITH REVERSE FLOW



DESCRIPTION

10 size, 7/8-14 thread, "Delta" series, pilot operated relief valve with reverse flow.

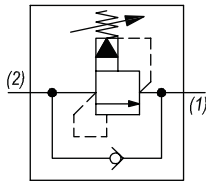
OPERATION

The DE-RVR blocks flow from (2) to (1) until sufficient pressure is present at (2) to force the pilot stage open, allowing the main stage to shift, opening (2) to (1). The relief flow path is from (2) to (1). Free reverse flow, from (1) to (2), occurs when the pressure at (1) is at least 10 PSI (.7 bar) higher than at port (2).

FEATURES

- Hardened parts for long life.
- Industry common cavity.

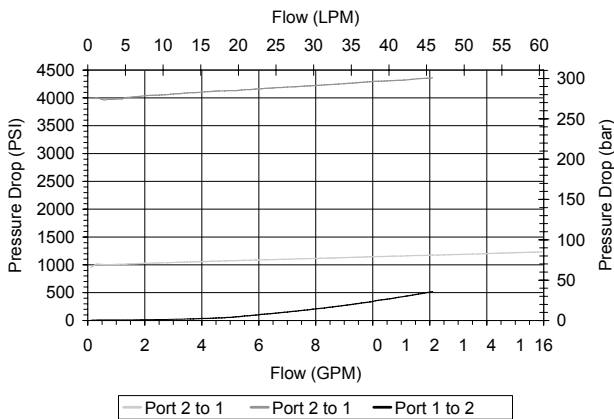
HYDRAULIC SYMBOL



Consult Chart for flow capacity port (1) to (2).

PERFORMANCE

Actual Test Data (Cartridge Only)



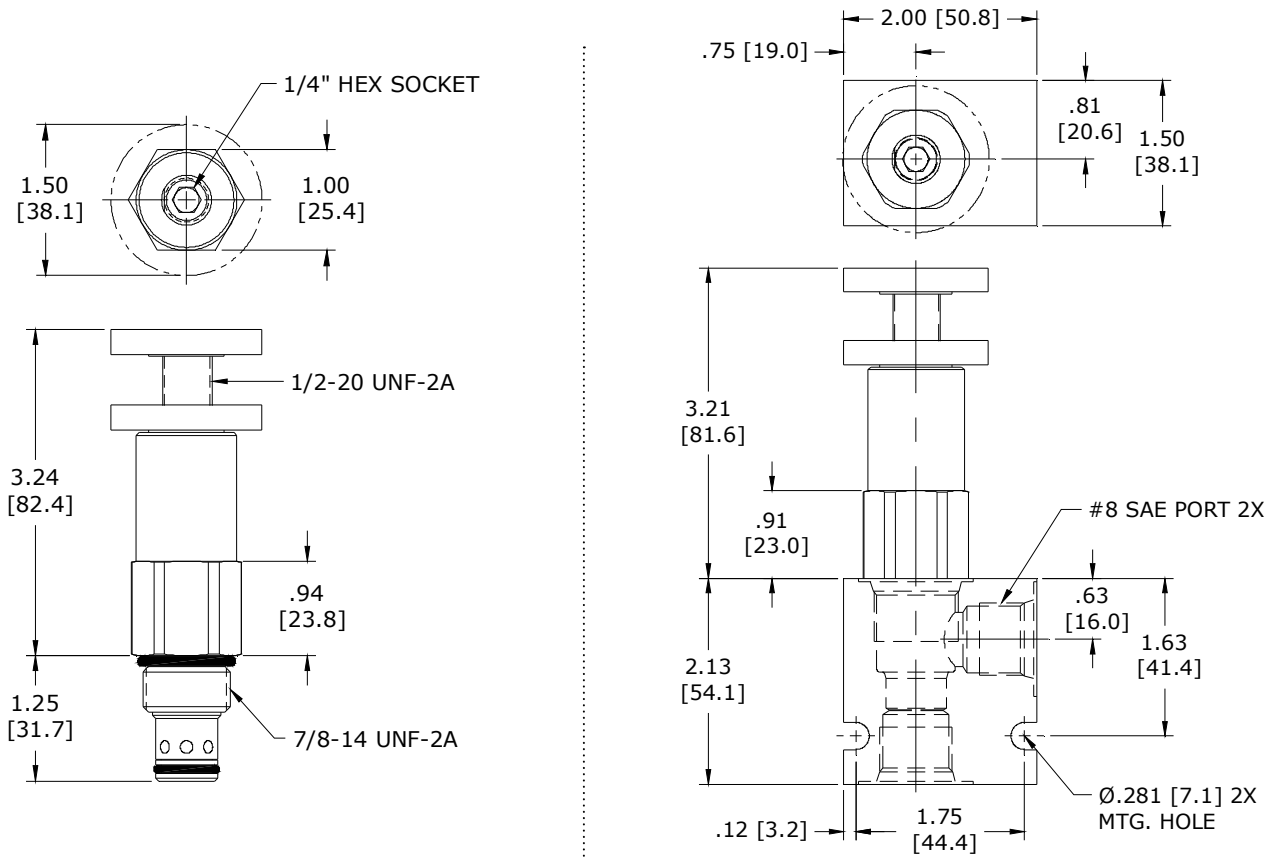
VALVE SPECIFICATIONS

| | |
|-------------------------------|---------------------------------|
| Nominal Flow | 15 GPM (57 LPM) |
| Rated Operating Pressure | 4000 PSI (276 bar) |
| Viscosity Range | 36 to 3000 SSU (3 to 647 cSt) |
| Filtration | ISO 18/16/13 |
| Media Operating Temp. Range | -40° to 250°F (-40° to 120°C) |
| Weight | .56 lbs (.25 kg) |
| Operating Fluid Media | General Purpose Hydraulic Fluid |
| Cartridge Torque Requirements | 30 ft-lbs (40.6 Nm) |
| Cavity | DELTA 2W |
| Cavity Form Tool (Finishing) | 40500000 |
| Seal Kit | 21191200 |

WARNING: the specifications/application data shown in our catalogs and data sheets are intended only as a general guide for the product described (herein). Any specific application should not be undertaken without independent study, evaluation, and testing for suitability.

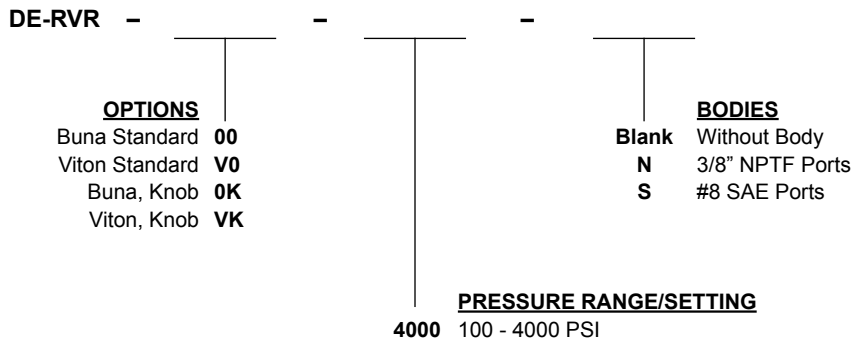
Via Malavolti, 36 - 41122 Modena - ITALY - Phone +39 (059) 254895 - Fax +39 (059) 253512 - mail: tecnord@tecnord.com - www.tecnord.com

DIMENSIONS



Body Weight: .47 lbs (.21 kg)

ORDERING INFORMATION



WARNING: the specifications/application data shown in our catalogs and data sheets are intended only as a general guide for the product described (herein). Any specific application should not be undertaken without independent study, evaluation, and testing for suitability.

W 8/2023