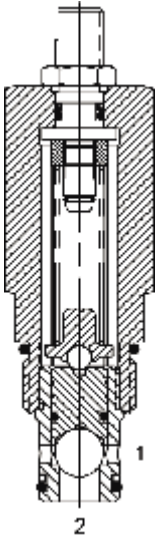


**DE-RWA DIRECT ACTING RELIEF VALVE**



**DESCRIPTION**

10 size, 7/8-14 thread, "Delta" series, direct acting relief valve.

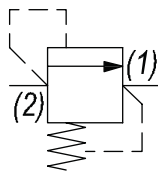
**OPERATION**

The DE-RWA blocks flow from (2) to (1) until sufficient pressure is present at (2) to force the poppet to open and allow metered flow from (2) to (1). The cartridge offers smooth transition in response to load changes in common hydraulic circuits.

**FEATURES**

- Hardened parts for long life.
- Industry common cavity.

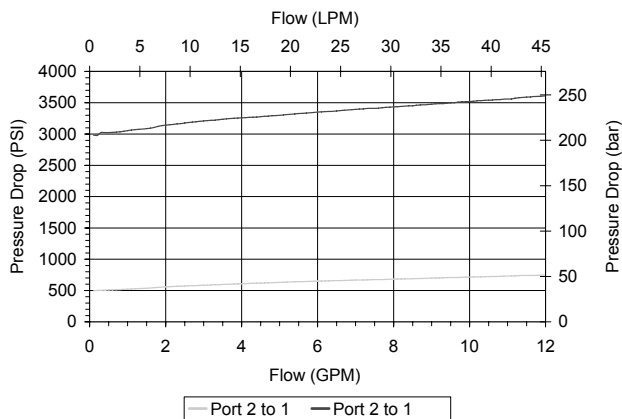
**HYDRAULIC SYMBOL**



For critical leakage applications consult factory.

**PERFORMANCE**

Actual Test Data (Cartridge Only)



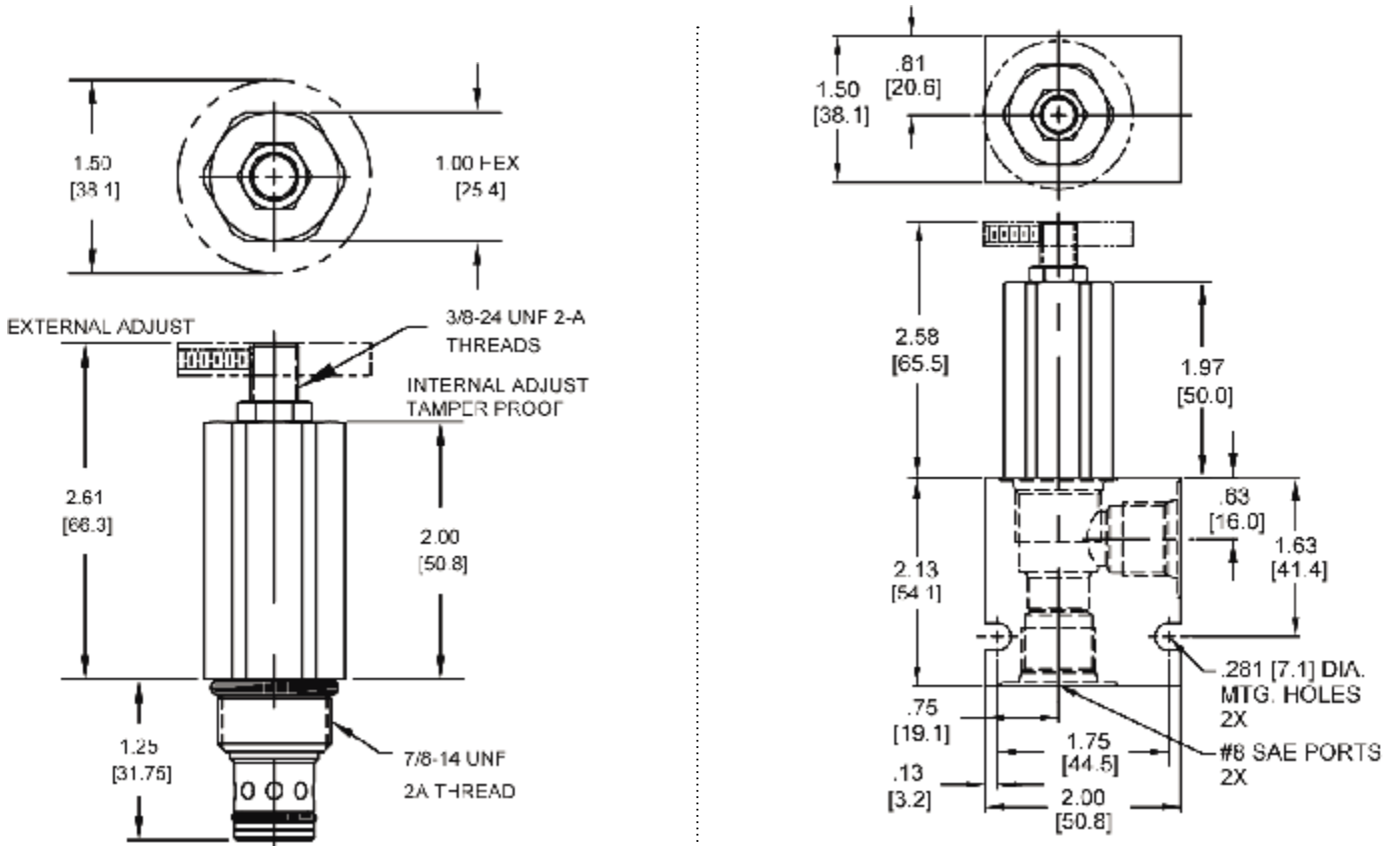
**VALVE SPECIFICATIONS**

Nominal Flow	8 GPM (30 LPM)
Rated Operating Pressure	4000 PSI (276 bar)
Viscosity Range	36 to 3000 SSU (3 to 647 cSt)
Filtration	ISO 18/16/13
Media Operating Temp. Range	-40° to 250°F (-40° to 120°C)
Weight	.51 lbs (.23 kg)
Operating Fluid Media	General Purpose Hydraulic Fluid
Cartridge Torque Requirements	30 ft-lbs (40.6 Nm)
Cavity	DELTA 2W
Cavity Form Tool (Finishing)	40500000
Seal Kit	21191200

**WARNING:** the specifications/application data shown in our catalogs and data sheets are intended only as a general guide for the product described (herein). Any specific application should not be undertaken without independent study, evaluation, and testing for suitability.

Via Malavolti, 36 - 41122 Modena - ITALY - Phone +39 (059) 254895 - Fax +39 (059) 253512 - mail: [tecnord@tecnord.com](mailto:tecnord@tecnord.com) - [www.tecnord.com](http://www.tecnord.com)

**DIMENSIONS**



Body Weight: .47 lbs (.21 kg)

**ORDERING INFORMATION**

DE-RWA - - - -

**OPTIONS**

- Buna, External Adj. W/Locknut **00**
- Viton, External Adj. W/Locknut **V0**
- Buna, Knob **0K**
- Viton, Knob **VK**
- Buna, Internal Adjust **0I**
- Viton, Internal Adjust **VI**
- Buna, Tamper Proof **0T**
- Viton, Tamper Proof **VT**

**BODIES**

- Blank Without Body
- N** 3/8" NPTF Ports
- S** #8 SAE Ports

**PRESSURE RANGE/SETTING**

**Ext./Int. Adjustment**

- 0500** 100 - 500 PSI
- 3000** 100 - 3000 PSI
- 4000** 3000 - 4000 PSI

**Tamper Proof**

Fill in 4 Digit Pressure Setting  
Example: 0500 - 500 PSI