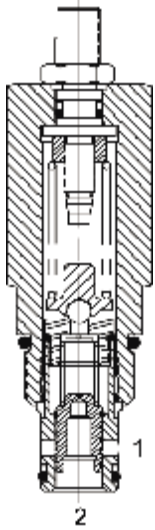


DE-RWP PILOT OPERATED RELIEF VALVE



DESCRIPTION

10 size, 7/8-14 thread, "Delta" series, pilot operated relief valve.

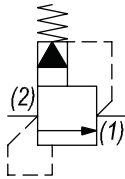
OPERATION

The DE-RWP blocks flow from (2) to (1) until sufficient pressure is present at (2) to force the pilot stage open, allowing the main stage to shift, opening (2) to (1).

FEATURES

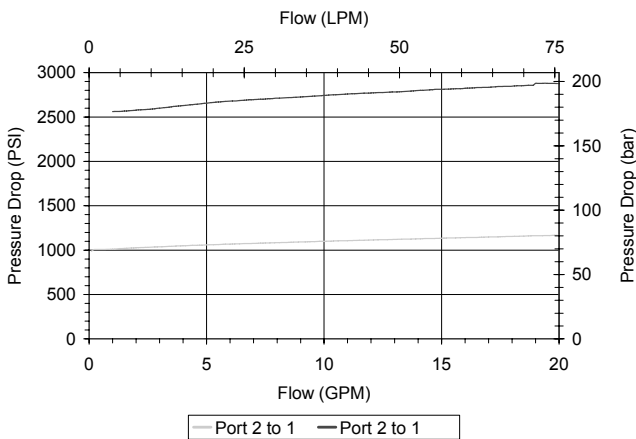
- Hardened parts for long life.
- Industry common cavity.

HYDRAULIC SYMBOL



PERFORMANCE

Actual Test Data (Cartridge Only)



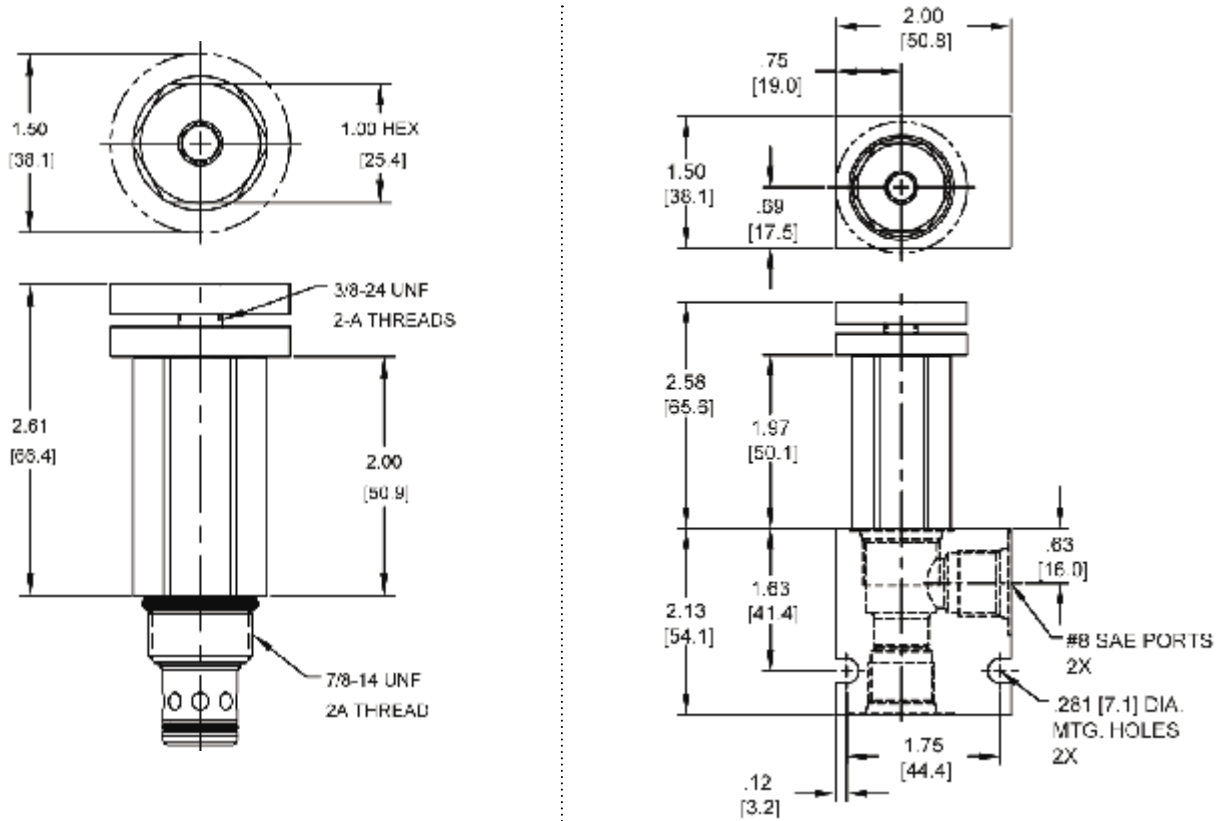
VALVE SPECIFICATIONS

Nominal Flow	15 GPM (57 LPM)
Rated Operating Pressure	4000 PSI (276 bar)
Viscosity Range	36 to 3000 SSU (3 to 647 cSt)
Filtration	ISO 18/16/13
Media Operating Temp. Range	-40° to 250°F (-40° to 120°C)
Weight	.53 lbs (.24 kg)
Operating Fluid Media	General Purpose Hydraulic Fluid
Cartridge Torque Requirements	30 ft-lbs (40.6 Nm)
Cavity	DELTA 2W
Cavity Form Tool (Finishing)	40500000
Seal Kit	21191200

WARNING: the specifications/application data shown in our catalogs and data sheets are intended only as a general guide for the product described (herein). Any specific application should not be undertaken without independent study, evaluation, and testing for suitability.

Via Malavolti, 36 - 41122 Modena - ITALY - Phone +39 (059) 254895 - Fax +39 (059) 253512 - mail: tecnord@tecnord.com - www.tecnord.com

DIMENSIONS



Body Weight: .47 lbs (.21 kg)

ORDERING INFORMATION

DE-RWP	-	-	-	-
OPTIONS				BODIES
Buna Standard				Blank Without Body
Viton Standard	00			N 3/8" NPTF Ports
Buna, Knob	0K			S #8 SAE Ports
Viton, Knob	VK			
Buna, Internal Adjust	0I			
Viton, Internal Adjust	VI			
Buna, Tamper Proof	0T			
Viton, Tamper Proof	VT			
		4000		PRESSURE RANGE/SETTING
				1000 - 4000 PSI

Tamper Proof
 Fill in 4 Digit Pressure Setting
 Example: 0500 - 500 PSI

W.50/2022

WARNING: the specifications/application data shown in our catalogs and data sheets are intended only as a general guide for the product described (herein). Any specific application should not be undertaken without independent study, evaluation, and testing for suitability.