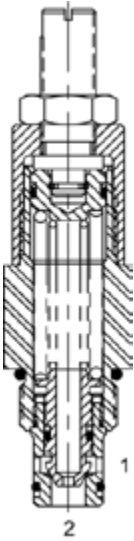


**HE-RVD DIFFERENTIAL AREA RELIEF VALVE**



**DESCRIPTION**

10 size, 7/8-14 thread, "Delta" series, differential area relief valve.

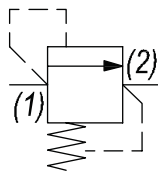
**OPERATION**

The HE-RVD blocks flow from (1) to (2) until sufficient pressure is present at (1) to force the poppet to open and allow metered flow from (1) to (2). The cartridge offers smooth transition in response to load changes in common hydraulic circuits.

**FEATURES**

- Hardened parts for long life.
- Industry common cavity.

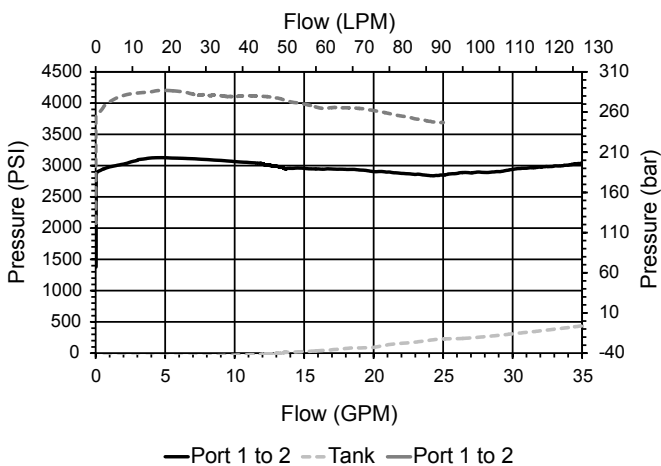
**HYDRAULIC SYMBOL**



*Good pressure vs. flow characteristic. Recommended Return Line Pressure as shown on Performance Data Graph. Undercut Cavity Recommended for Max flows (Consult Factory for Details).*

**PERFORMANCE**

Actual Test Data (Cartridge Only)

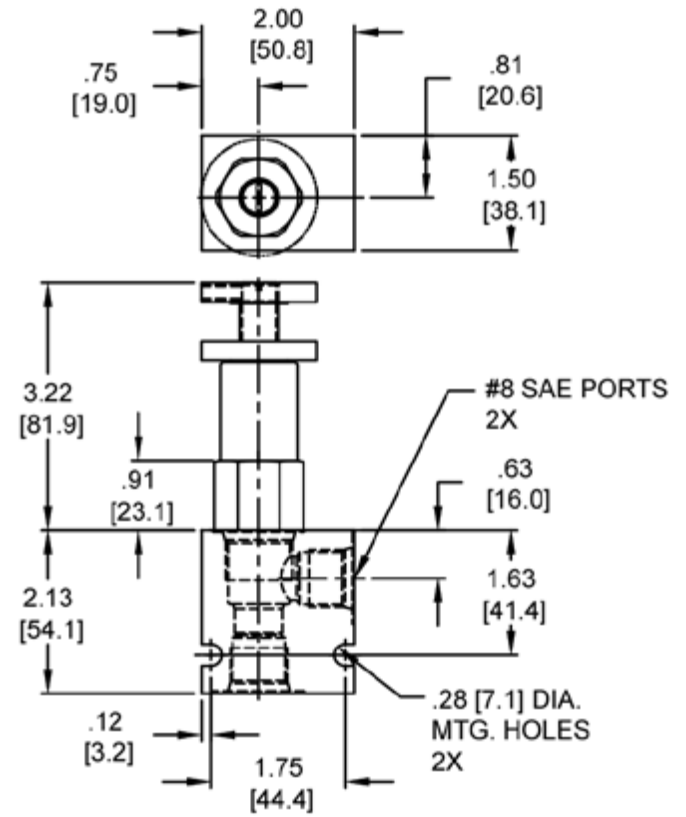
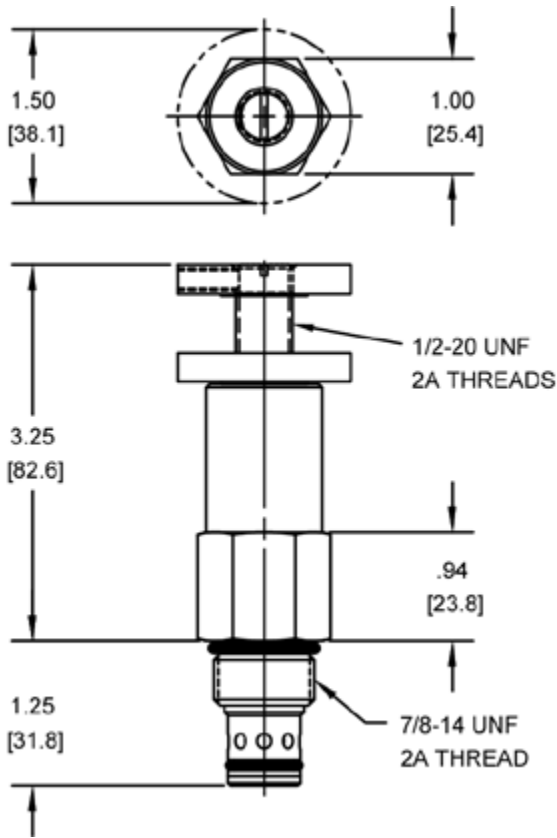


**VALVE SPECIFICATIONS**

Nominal Flow	40 GPM (151 LPM)
Rated Operating Pressure	5000 PSI (345 bar)
Viscosity Range	36 to 3000 SSU (3 to 647 cSt)
Filtration	ISO 18/16/13
Media Operating Temp. Range	-40° to 250°F (-40° to 120°C)
Weight	.57 lbs (.26 kg)
Operating Fluid Media	General Purpose Hydraulic Fluid
Cartridge Torque Requirements	30 ft-lbs (40.6 Nm)
Cavity	DELTA 2W
Cavity Form Tool (Finishing)	40500000
Seal Kit	21191200

**WARNING:** the specifications/application data shown in our catalogs and data sheets are intended only as a general guide for the product described (herein). Any specific application should not be undertaken without independent study, evaluation, and testing for suitability.

DIMENSIONS



Body Weight: .47 lbs (.21 kg)

ORDERING INFORMATION

<p><b>HE-RVD</b> -</p> <p><b>OPTIONS</b></p> <p>Buna Standard <b>00</b></p> <p>Viton Standard <b>V0</b></p> <p>Buna, Screen <b>A0</b></p> <p>Viton, Screen <b>W0</b></p> <p>Buna, Knob <b>0K</b></p> <p>Viton, Knob <b>VK</b></p> <p>Buna, Knob, Screen <b>AK</b></p> <p>Viton, Knob, Screen <b>WK</b></p>	<p><b>5000</b></p>	<p><b>BODIES</b></p> <p>Blank Without Body</p> <p><b>N</b> 3/8" NPTF Ports</p> <p><b>S</b> #8 SAE Ports</p> <p><b>PRESSURE RANGE/SETTING</b></p> <p>1000 - 5000 PSI</p>
--	--------------------	---

**Note: use screen only if flow direction is from (1) to (2).**

**Note: aluminum NOT durability rated for 4000 PSI. Consult factory for options.**