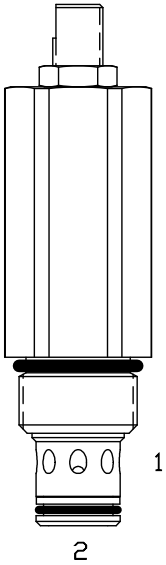


HE-RWP RAPID RESPONSE, PILOT OPERATED RELIEF VALVE



DESCRIPTION

High Pressure, High Flow, Rapid Response, 10 size, 7/8-14 thread, "Delta" series, pilot operated relief valve.

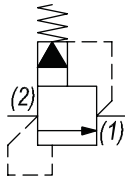
OPERATION

The HE-RWP blocks flow from (2) to (1) until sufficient pressure is present at (2) to force the pilot stage open, allowing the main stage to shift, opening (2) to (1).

FEATURES

- High pressure valve.
- Hardened parts for long life.
- Industry common cavity.
- Rapid response to sudden pressure application.
- Excellent regulation of pressure with flow (low override).

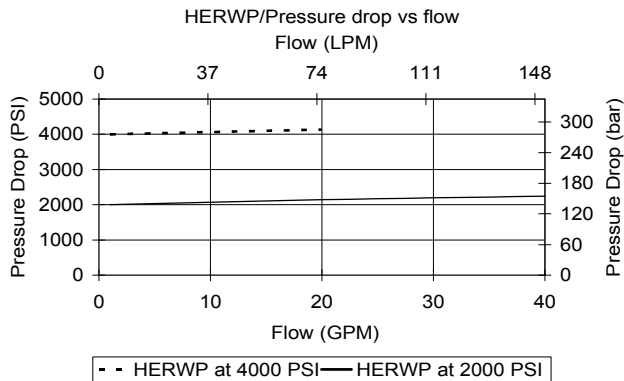
HYDRAULIC SYMBOL



This is a rapid response, high pressure relief valve with excellent high flow regulation. Consult factory for higher flow capacity cavity option.

PERFORMANCE

Actual Test Data (Cartridge Only)



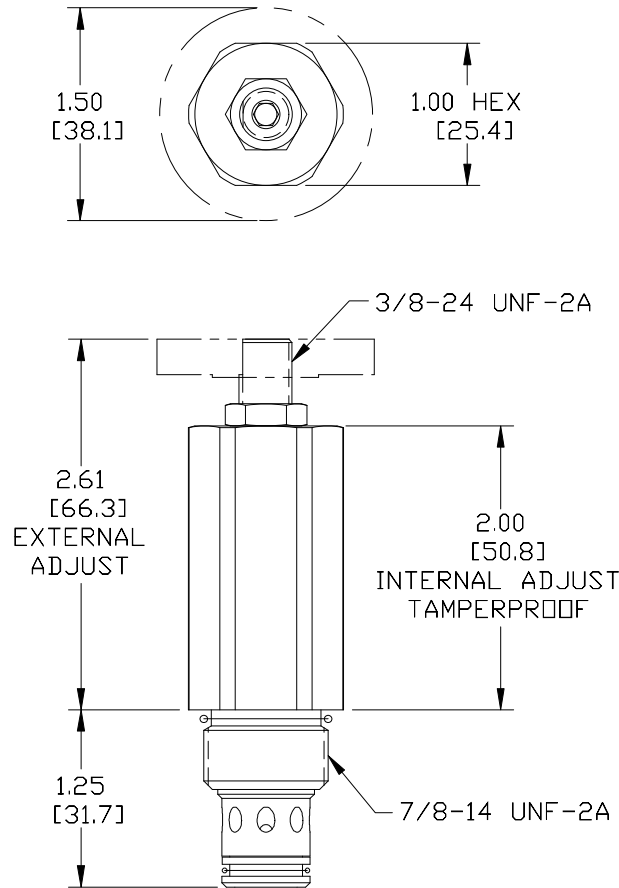
VALVE SPECIFICATIONS

Nominal Flow	40 GPM (151 LPM)
Rated Operating Pressure	5000 PSI (345 bar)
Viscosity Range	36 to 3000 SSU (3 to 647 cSt)
Filtration	ISO 18/16/13
Media Operating Temp. Range	-40° to 250°F (-40° to 120°C)
Weight	.53 lbs (.24 kg)
Operating Fluid Media	General Purpose Hydraulic Fluid
Cartridge Torque Requirements	30 ft-lbs (40.6 Nm)
Cavity	DELTA 2W
Cavity Form Tool (Finishing)	40500000
Seal Kit	21191200

WARNING: the specifications/application data shown in our catalogs and data sheets are intended only as a general guide for the product described (herein). Any specific application should not be undertaken without independent study, evaluation, and testing for suitability.

Via Malavolti, 36 - 41122 Modena - ITALY - Phone +39 (059) 254895 - Fax +39 (059) 253512 - mail: tecnord@tecnord.com - www.tecnord.com

DIMENSIONS



ORDERING INFORMATION

HE-RWP		-	-	-	-
OPTIONS					BODIES
Buna Standard	00				Consult Factory
Viton Standard	V0				
Buna, Knob	0K				
Viton, Knob	VK				
Buna, Internal Adjust	0I				
Viton, Internal Adjust	VI				
Buna, Tamper Proof	0T				
Viton, Tamper Proof	VT				
			5000	PRESSURE RANGE/SETTING	
				1000 - 5000 PSI	

Tamper Proof
 Fill in 4 Digit Pressure Setting
 Example: 1500 - 1500 PSI

WARNING
 DO NOT USE ALUMINUM BODY
 HIGH PRESSURE (5000 PSI) PRODUCT