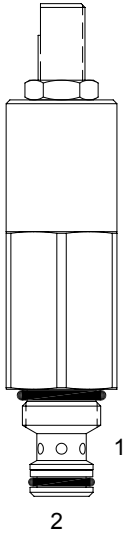


**MA-RVA DIRECT ACTING RELIEF VALVE**



**DESCRIPTION**

7 size, 5/8-18 thread, "Mini" series, direct acting relief valve.

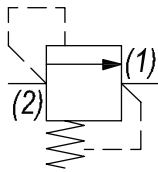
**OPERATION**

The MA-RVA blocks flow from (2) to (1) until sufficient pressure is present at (2) to force the poppet to open and allow metered flow from (2) to (1). The cartridge offers smooth transition in response to load changes in common hydraulic circuits.

**FEATURES**

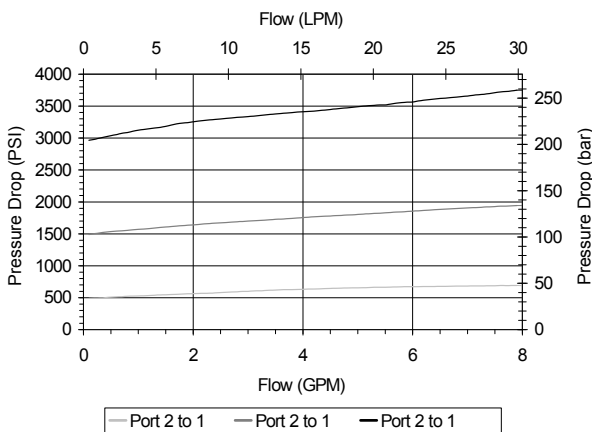
- Hardened parts for long life.
- Industry common cavity.

**HYDRAULIC SYMBOL**



**PERFORMANCE**

Actual Test Data (Cartridge Only)



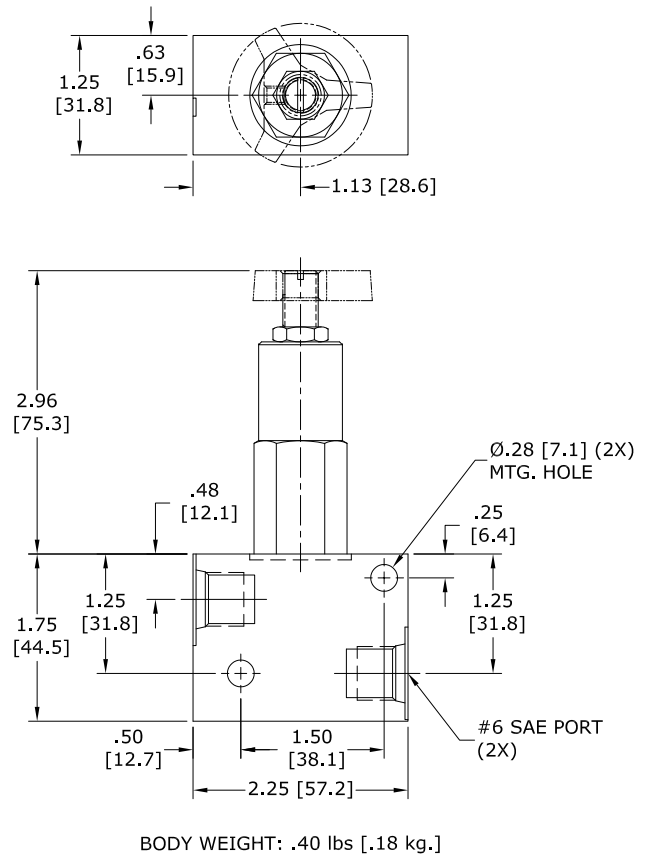
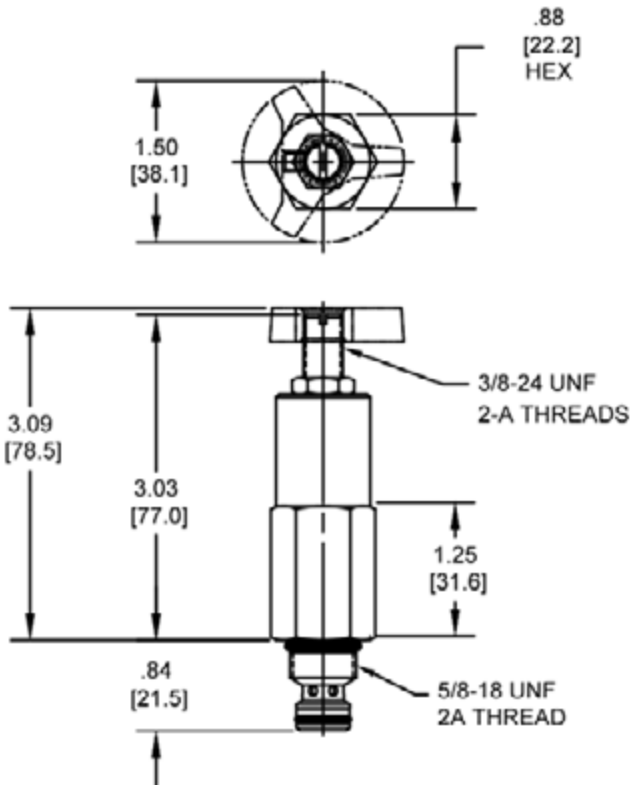
**VALVE SPECIFICATIONS**

Nominal Flow	5 GPM (19 LPM)
Rated Operating Pressure	3000 PSI (207 bar)
Viscosity Range	36 to 3000 SSU (3 to 647 cSt)
Filtration	ISO 18/16/13
Media Operating Temp. Range	-40° to 250°F (-40° to 120°C)
Weight	.39 lbs (.17 kg)
Operating Fluid Media	General Purpose Hydraulic Fluid
Cartridge Torque Requirements	15 ft-lbs (20.3 Nm)
Cavity	MINI 2W
Cavity Form Tool (Finishing)	40500003
Seal Kit	21191000

**WARNING:** the specifications/application data shown in our catalogs and data sheets are intended only as a general guide for the product described (herein). Any specific application should not be undertaken without independent study, evaluation, and testing for suitability.

Via Malavolti, 36 - 41122 Modena - ITALY - Phone +39 (059) 254895 - Fax +39 (059) 253512 - mail: [tecnord@tecnord.com](mailto:tecnord@tecnord.com) - [www.tecnord.com](http://www.tecnord.com)

DIMENSIONS



Body Weight: .29 lbs (.13 kg)

ORDERING INFORMATION

<b>MA-RVA</b> -		-	-	-	-
<b>OPTIONS</b>					<b>BODIES</b>
Buna Standard	<b>00</b>				Blank Without Body
Viton Standard	<b>V0</b>				<b>N</b> 1/4" NPTF Ports
Buna, Knob	<b>0K</b>				<b>S</b> #6 SAE Ports
Viton, Knob	<b>VK</b>				
				<b>PRESSURE RANGE</b>	
			<b>0500</b>	100 - 500 PSI	
			<b>1500</b>	500 - 1500 PSI	
			<b>3000</b>	1500 - 3000 PSI	

W 50 / 2022

**WARNING:** the specifications/application data shown in our catalogs and data sheets are intended only as a general guide for the product described (herein). Any specific application should not be undertaken without independent study, evaluation, and testing for suitability.