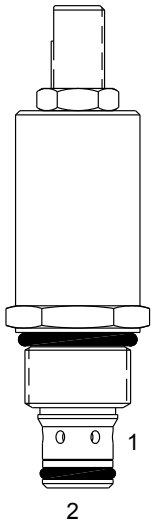


**PB-RVA DIRECT ACTING RELIEF VALVE**



**DESCRIPTION**

8 size, 3/4-16 thread, "Power" series, direct acting relief valve.

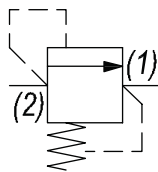
**OPERATION**

The PB-RVA blocks flow from (2) to (1) until sufficient pressure is present at (2) to force the poppet to open and allow metered flow from (2) to (1). The cartridge offers smooth transition in response to load changes in common hydraulic circuits.

**FEATURES**

- Hardened parts for long life.
- Industry common cavity.

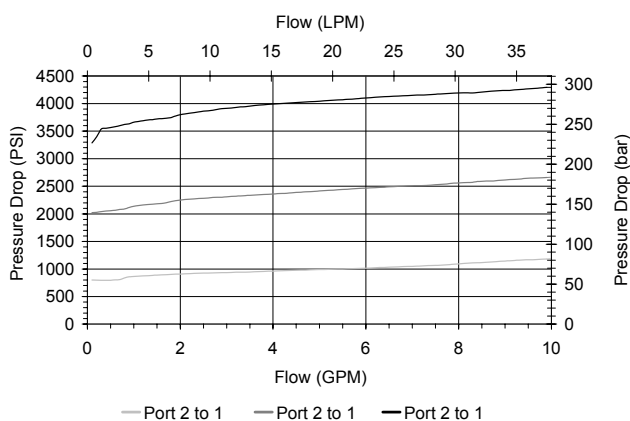
**HYDRAULIC SYMBOL**



Pressure at port (1) must not exceed 2500 PSI.

**PERFORMANCE**

Actual Test Data (Cartridge Only)



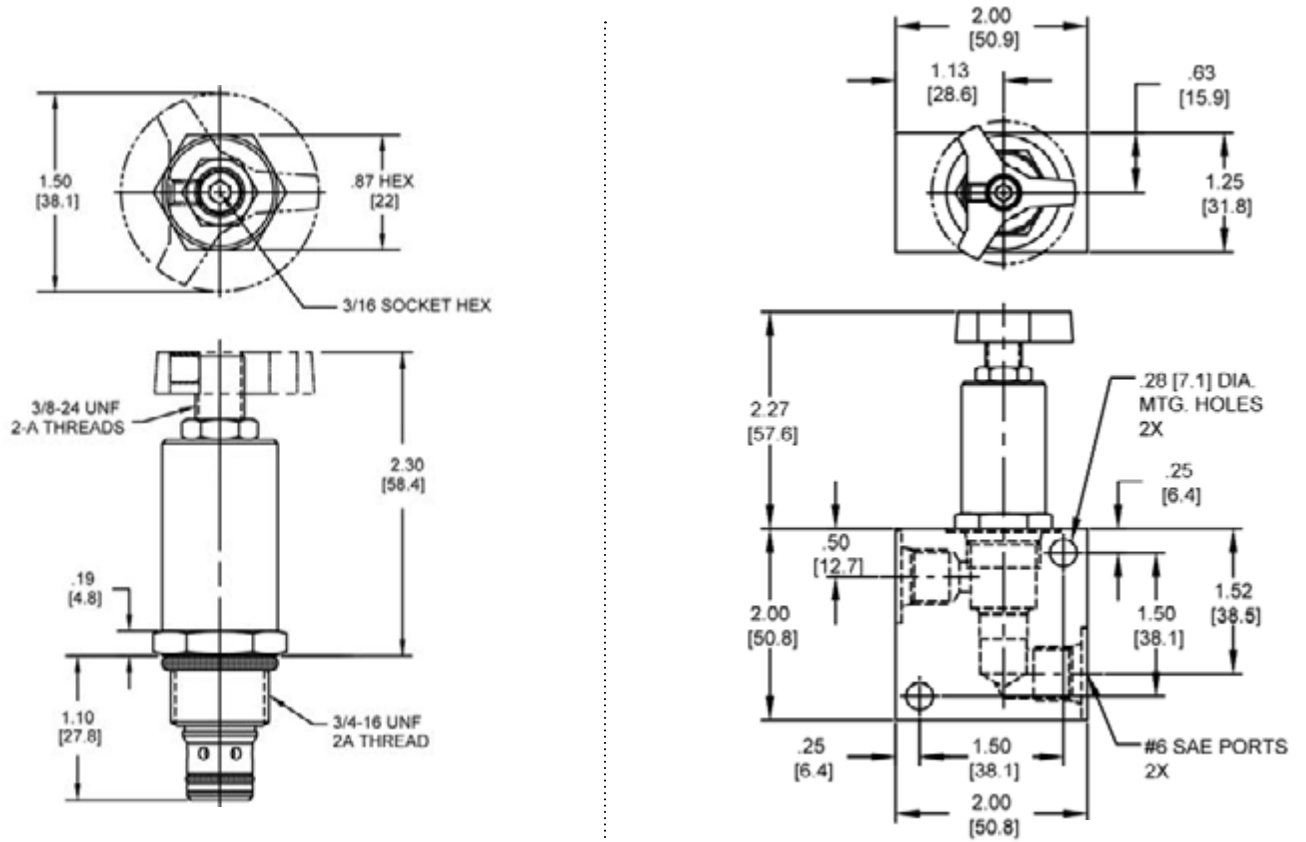
**VALVE SPECIFICATIONS**

Nominal Flow	6 GPM (23 LPM)
Rated Operating Pressure	3500 PSI (241 bar)
Viscosity Range	36 to 3000 SSU (3 to 647 cSt)
Filtration	ISO 18/16/13
Media Operating Temp. Range	-40° to 250°F (-40° to 120°C)
Weight	.30 lbs (.14 kg)
Operating Fluid Media	General Purpose Hydraulic Fluid
Cartridge Torque Requirements	25 ft-lbs (34 Nm)
Cavity	POWER 2W
Cavity Form Tool (Finishing)	40500005
Seal Kit	21191100

**WARNING:** the specifications/application data shown in our catalogs and data sheets are intended only as a general guide for the product described (herein). Any specific application should not be undertaken without independent study, evaluation, and testing for suitability.

Via Malavolti, 36 - 41122 Modena - ITALY - Phone +39 (059) 254895 - Fax +39 (059) 253512 - mail: [tecnord@tecnord.com](mailto:tecnord@tecnord.com) - [www.tecnord.com](http://www.tecnord.com)

DIMENSIONS



Body Weight: .39 lbs (.18 kg)

ORDERING INFORMATION

PB-RVA - - - -	
<b>OPTIONS</b>	<b>BODIES</b>
Buna Standard <b>00</b>	<b>Blank</b> Without Body
Viton Standard <b>V0</b>	<b>N</b> 1/4" NPTF Ports
Buna, Knob <b>0K</b>	<b>S</b> #6 SAE Ports
Viton, Knob <b>VK</b>	
	<b>PRESSURE RANGE/SETTING</b>
	<b>0800</b> 100 - 800 PSI
	<b>2000</b> 800 - 2000 PSI
	<b>3500</b> 2000 - 3500 PSI

W 50 / 2022

**WARNING:** the specifications/application data shown in our catalogs and data sheets are intended only as a general guide for the product described (herein). Any specific application should not be undertaken without independent study, evaluation, and testing for suitability.