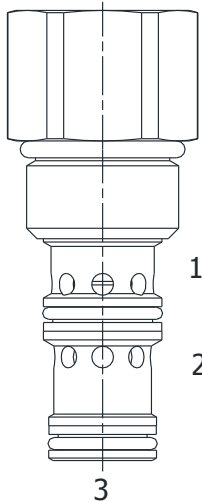


HF-PDE PILOTED DIRECTIONAL VALVE, NORMALLY CLOSED, EXTERNAL PILOT



DESCRIPTION

10 size, 7/8-14 thread, "Delta" series, external pilot normally closed, piloted directional valve.

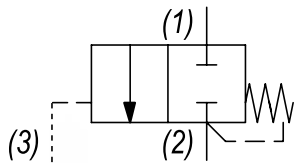
OPERATION

The HF-PDE blocks flow at ports (2) and (1). On attainment of a predetermined pressure at (3) the valve shifts to allow flow from (1) to (2).

FEATURES

- Hardened parts for long life.
- Industry common cavity

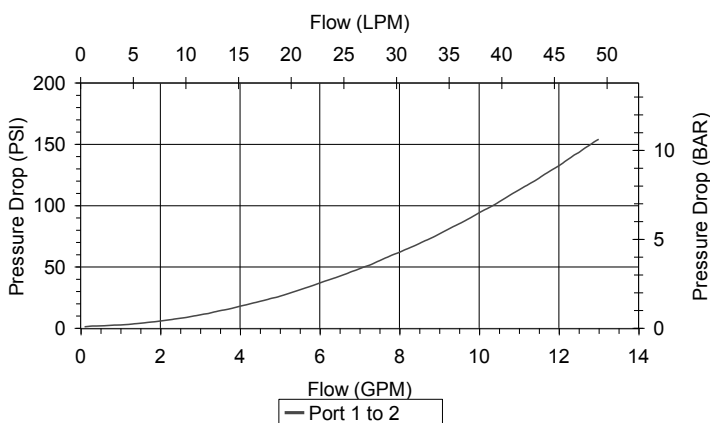
HYDRAULIC SYMBOL



.030 to .060 diameter orifice recommended beneath port (3).

PERFORMANCE

Actual Test Data (Cartridge Only)



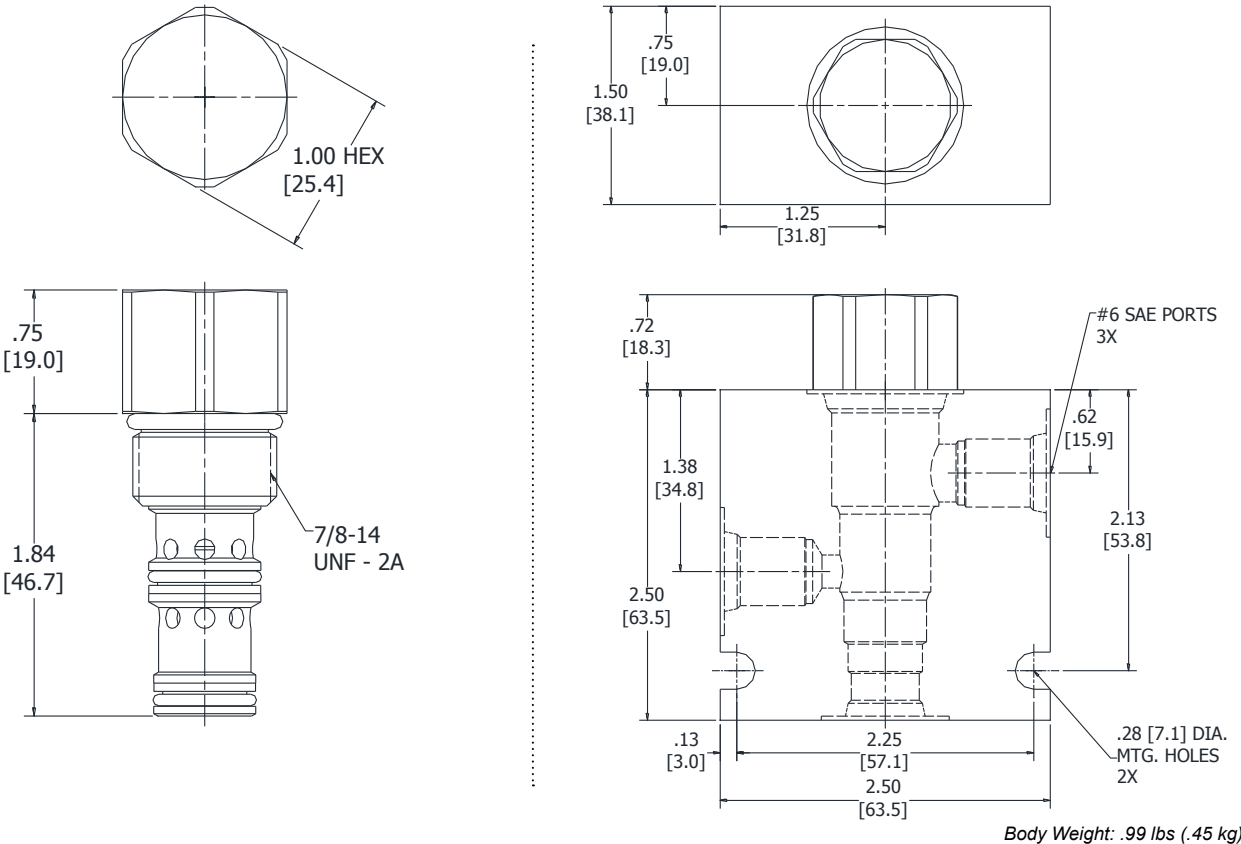
VALVE SPECIFICATIONS

Nominal Flow	10 GPM (38 LPM)
Rated Operating Pressure	4000 PSI (276 bar)
Typical Internal Leakage (150 SSU)	8 cu in/min (82 ml/min)
Viscosity Range	36 to 3000 SSU (3 to 647 cSt)
Filtration	ISO 18/16/13
Media Operating Temp. Range	-40° to 250°F (-40° to 120°C)
Weight	.57 lbs (.26 kg)
Operating Fluid Media	General Purpose Hydraulic Fluid
Cartridge Torque Requirements	40 ft-lbs (40.6 Nm)
Cavity	DELTA 3W
Cavity Form Tool (Finishing)	40500001
Seal Kit	21191206

WARNING: the specifications/application data shown in our catalogs and data sheets are intended only as a general guide for the product described (herein). Any specific application should not be undertaken without independent study, evaluation, and testing for suitability.

Via Malavolti, 36 - 41122 Modena - ITALY - Phone +39 (059) 254895 - Fax +39 (059) 253512 - mail: tecnord@tecnord.com - www.tecnord.com

DIMENSIONS



ORDERING INFORMATION

HF-PDE		-	-	-	-
OPTIONS					BODIES
Buna Standard	00				Blank Without Body
Viton Standard	V0				N 1/4" NPTF Ports
					S #6 SAE Ports
					PRESSURE SETTINGS
				0050	50 PSI
				0095	95 PSI
				0165	165 PSI