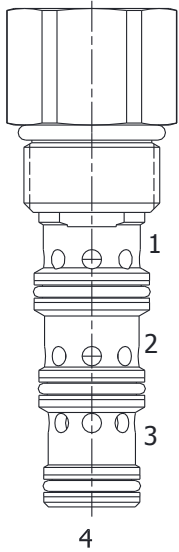


HG-PDC PILOTED DIRECTIONAL VALVE, 2 WAY NORMALLY CLOSED



DESCRIPTION

10 size, 7/8-14 thread, "Delta" series, 2 way normally closed piloted directional valve.

OPERATION

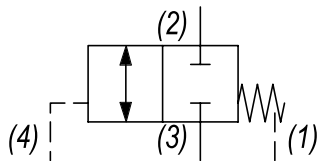
The HG-PDC in neutral (unpiloted), blocks flow between (2) and (3). The spring chamber is constantly vented at (1). On attainment of a predetermined pressure at (4), the cartridge allows flow from (2) to (3).

Note: that the backpressure value at (1) must be added to the selected pressure setting to determine pilot pressure necessary to shift valve to second position.

FEATURES

- Hardened parts for long life.
- Industry common cavity

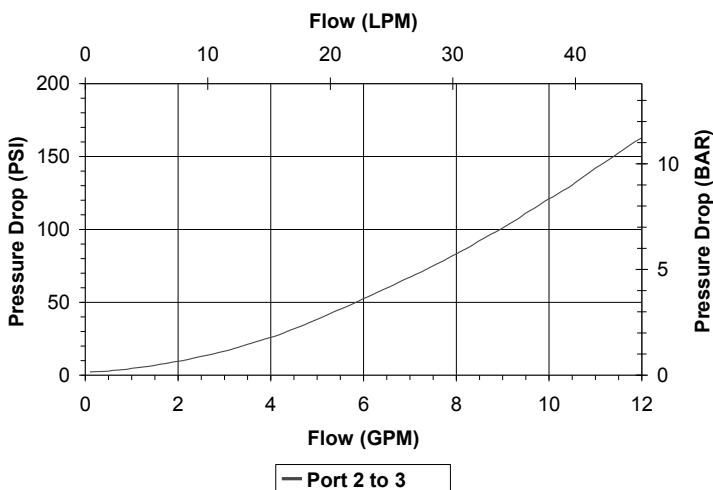
HYDRAULIC SYMBOL



.030 to .060 diameter orifice recommended beneath port (4).

PERFORMANCE

Actual Test Data (Cartridge Only)



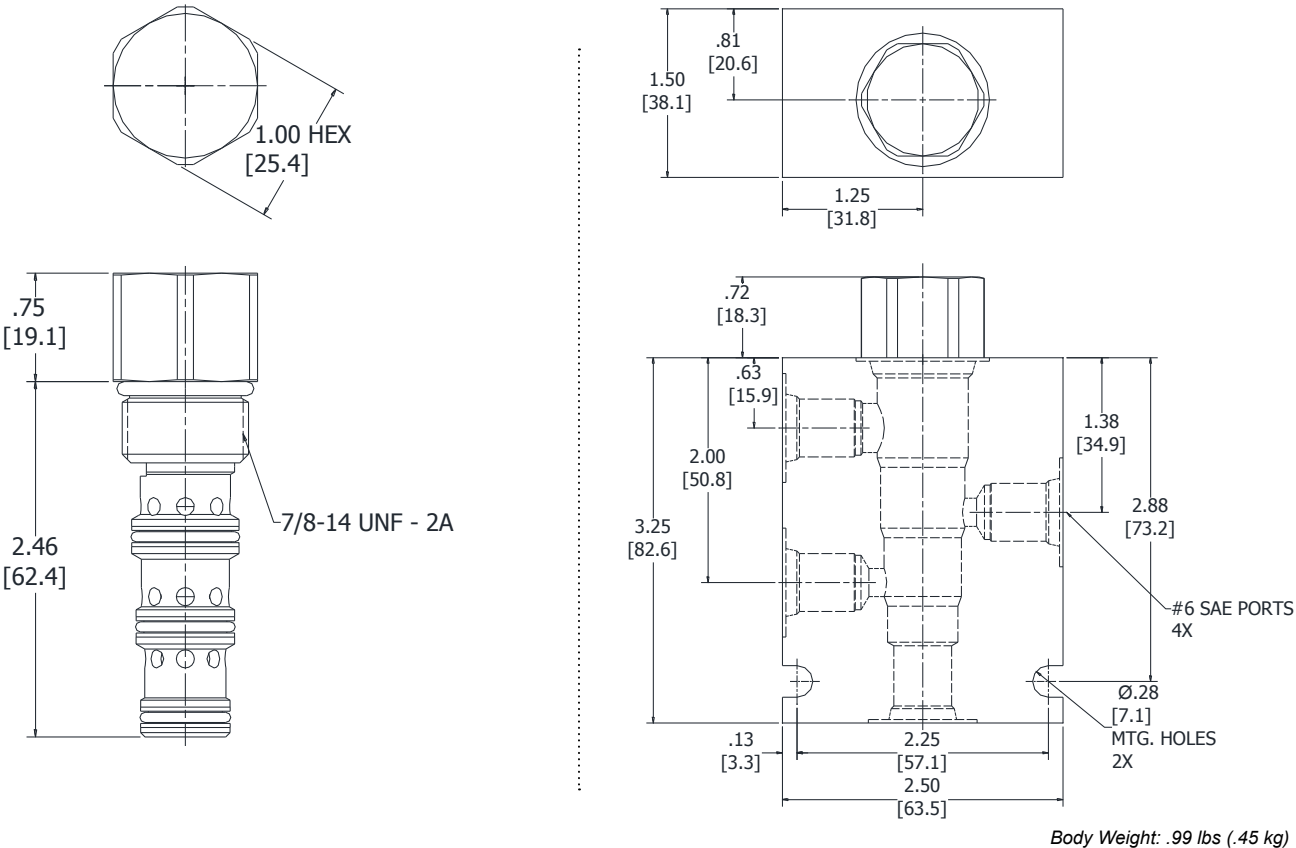
VALVE SPECIFICATIONS

Nominal Flow	10 GPM (38 LPM)
Rated Operating Pressure	4000 PSI (276 bar)
Typical Internal Leakage (150 SSU)	8 cu in/min (82 ml/min)
Viscosity Range	36 to 3000 SSU (3 to 647 cSt)
Filtration	ISO 18/16/13
Media Operating Temp. Range	-40° to 250°F (-40° to 120°C)
Weight	.63 lbs (.28 kg)
Operating Fluid Media	General Purpose Hydraulic Fluid
Cartridge Torque Requirements	40 ft-lbs (40.6 Nm)
Cavity	DELTA 4W
Cavity Form Tool (Finishing)	40500002
Seal Kit	21191214

WARNING: the specifications/application data shown in our catalogs and data sheets are intended only as a general guide for the product described (herein). Any specific application should not be undertaken without independent study, evaluation, and testing for suitability.

Via Malavolti, 36 - 41122 Modena - ITALY - Phone +39 (059) 254895 - Fax +39 (059) 253512 - mail: tecnord@tecnord.com - www.tecnord.com

DIMENSIONS



ORDERING INFORMATION

HG-PDC -		-	-	-
OPTIONS				
Buna Standard	00			
Viton Standard	V0			
BODIES				
Blank	Without Body			
N	1/4" NPTF Ports			
S	#6 SAE Ports			
PRESSURE SETTINGS				
0040	40 PSI			
0080	80 PSI			
0160	160 PSI			