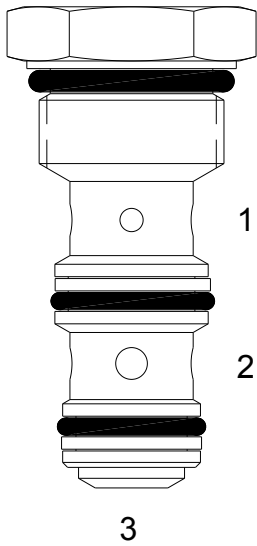


PP-CSB SHUTTLE VALVE



DESCRIPTION

8 size, 3/4-16 thread, "Power" series, shuttle valve.

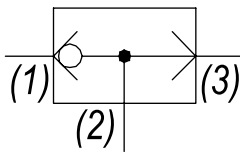
OPERATION

The PP-CSB allows flow from the higher pressure of (1) or (3) to (2). The valve is commonly used as a load sense to direct oil from the pressure side of a bidirectional hydraulic motor to a pressure released hydraulic brake.

FEATURES

- Hardened parts for long life.
- Industry common cavity.

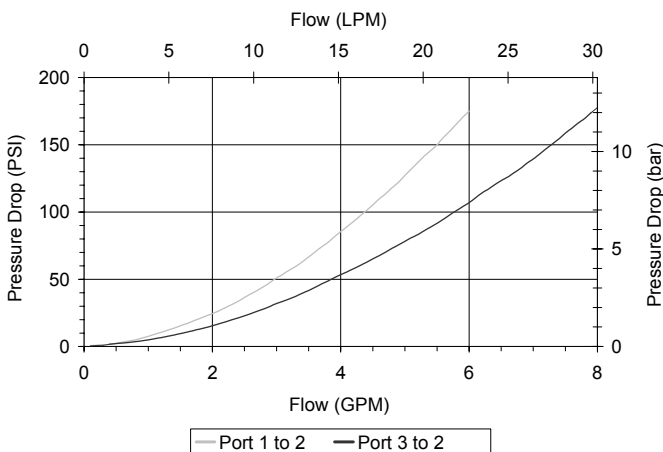
HYDRAULIC SYMBOL



*Tangency connections to cavity are not recommended.
Inlet to port (2) is not recommended.
Do not use orifice disk under cartridge valve.*

PERFORMANCE

Actual Test Data (Cartridge Only)

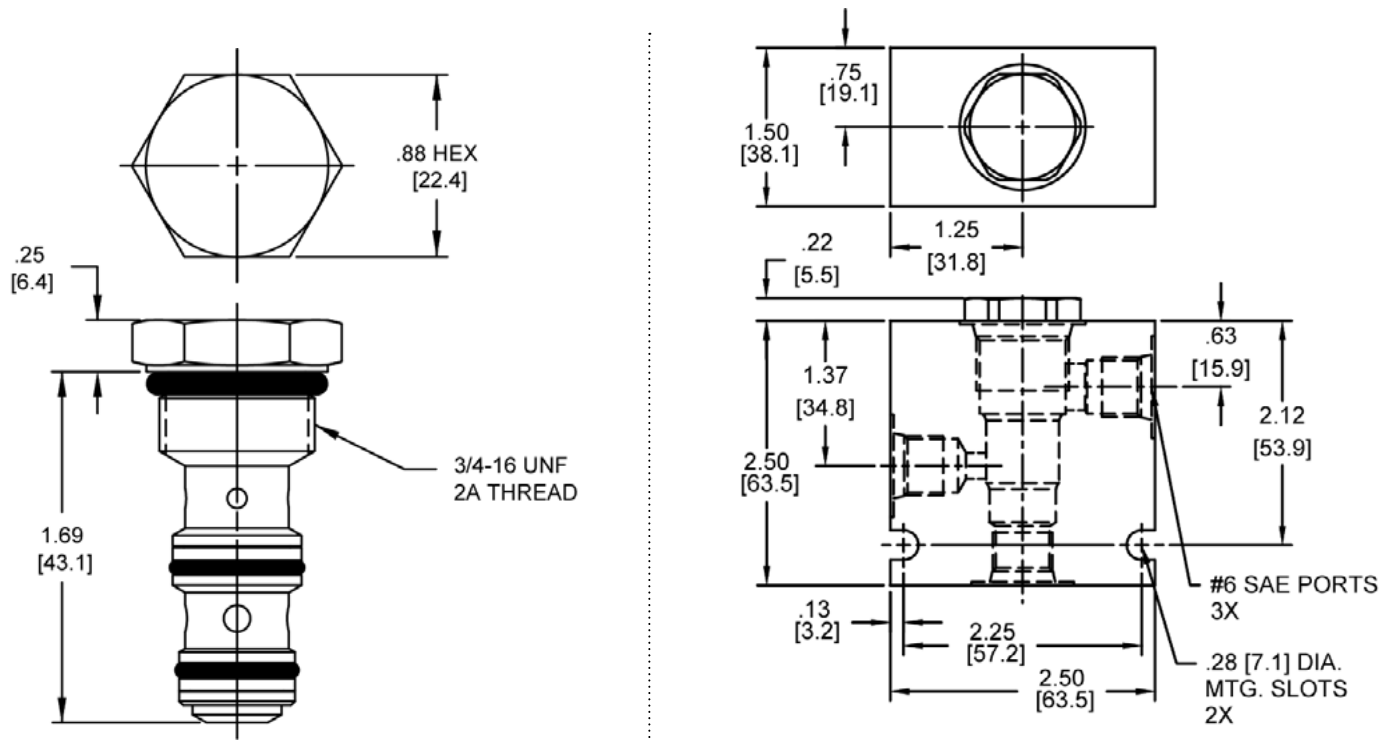


VALVE SPECIFICATIONS

Nominal Flow	6 GPM (23 LTR/M)
Rated Operating Pressure	3500 PSI (241 bar)
Typical Internal Leakage (150 SSU)	1 cu in/min (16 ml/min)
Viscosity Range	36 to 3000 SSU (3 to 647 cSt)
Filtration	ISO 18/16/13
Media Operating Temp. Range	-40° to 250°F (-40° to 120°C)
Weight	.16 lbs (.07 kg)
Operating Fluid Media	General Purpose Hydraulic Fluid
Cartridge Torque Requirements	25 ft-lbs (34 Nm)
Cavity	POWER 3W
Cavity Form Tool (Finishing)	40500024
Seal Kit	21191104

WARNING: the specifications/application data shown in our catalogs and data sheets are intended only as a general guide for the product described (herein). Any specific application should not be undertaken without independent study, evaluation, and testing for suitability.

DIMENSIONS



Body Weight: .56 lbs (.25 kg)

ORDERING INFORMATION

PP-CSB		-	-
OPTIONS			BODIES
Buna, Standard	00		Blank
Viton, Standard	V0		N 1/4" NPTF Ports
			S #6 SAE Ports

W 28 / 2022

WARNING: the specifications/application data shown in our catalogs and data sheets are intended only as a general guide for the product described (herein). Any specific application should not be undertaken without independent study, evaluation, and testing for suitability.