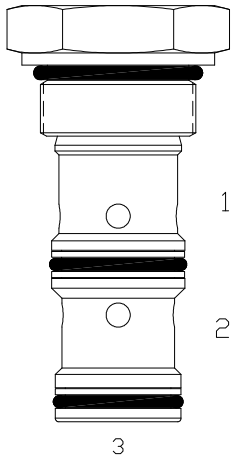


**SK-FCP FIXED PRIORITY FLOW CONTROL VALVE**



**DESCRIPTION**

16 size, 1 5/16-12 thread, "Super" series, fixed priority flow control valve.

**OPERATION**

The SK-FCP allows pressure compensated flow from (3) to (1) regulated by the pressure present at (3). Excess flow bypasses out (2). The spring chamber is constantly vented at (1).

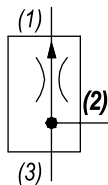
**FEATURES**

- Hardened parts for long life.
- Industry common cavity.



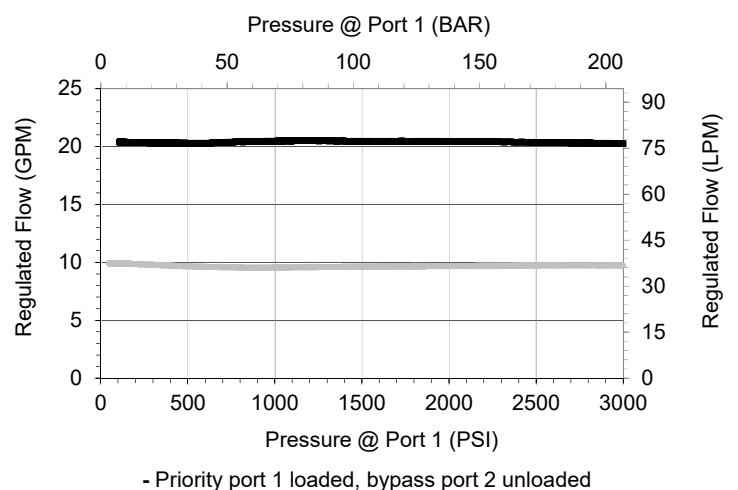
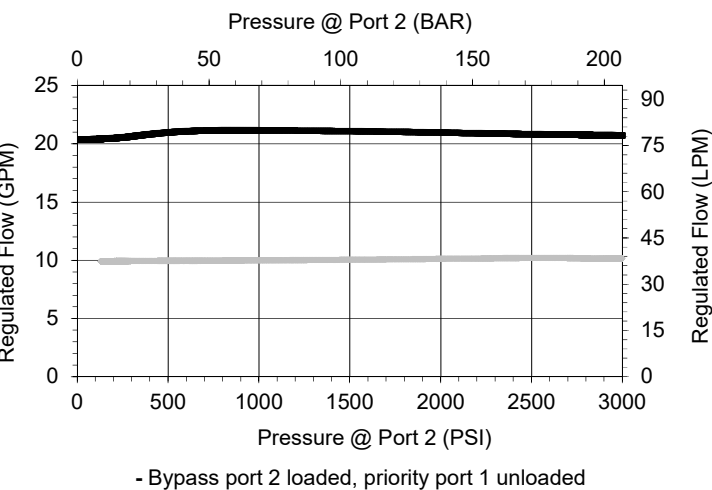
For adjustable setting see SK-FCQ.

**HYDRAULIC SYMBOL**



**PERFORMANCE**

Actual Test Data (Cartridge Only)



**WARNING:** the specifications/application data shown in our catalogs and data sheets are intended only as a general guide for the product described (herein). Any specific application should not be undertaken without independent study, evaluation, and testing for suitability.

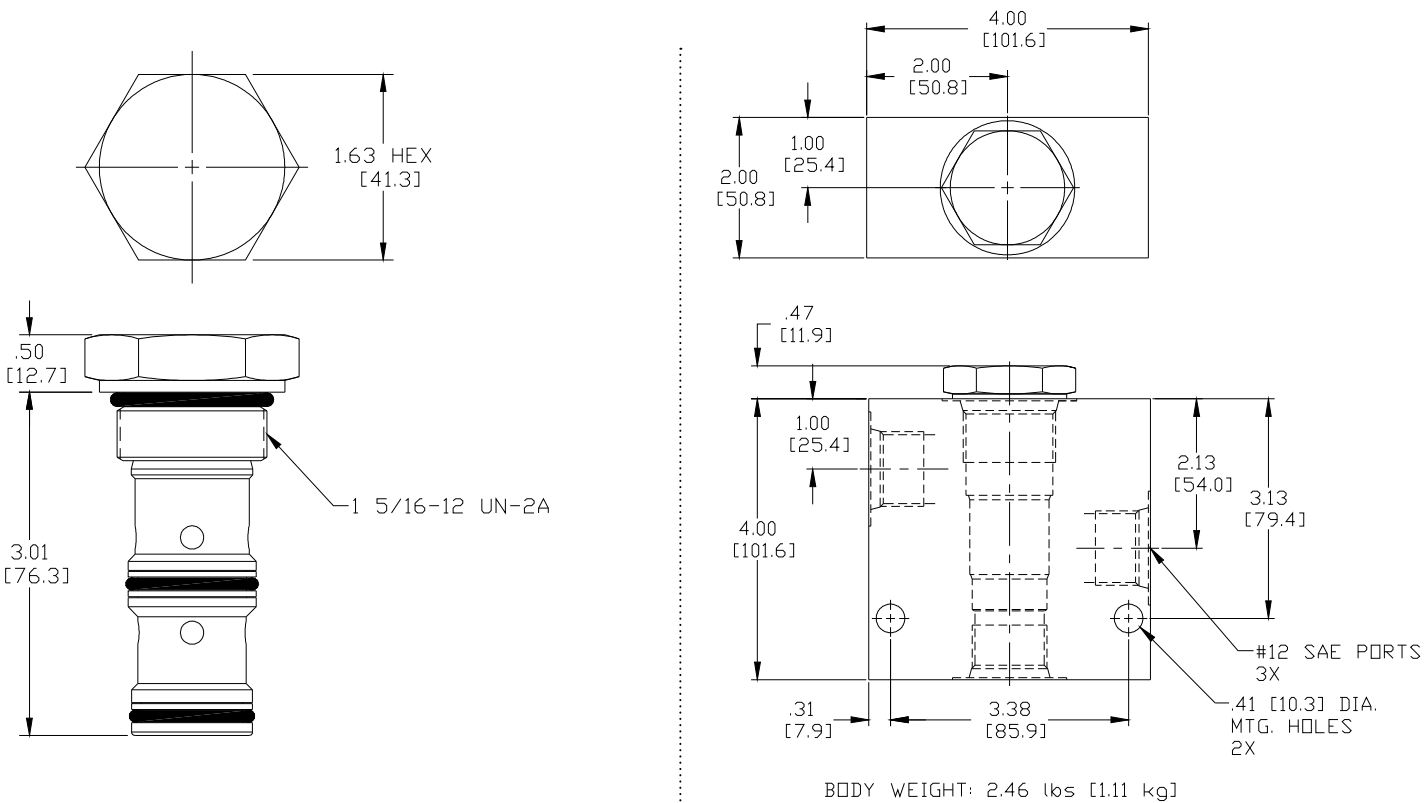


4484 Boeing Drive Rockford, IL 61109 • USA • Phone +1 (815) 397-6628 • Fax +1 (815) 397-2526  
 mail: delta@delta-power.com • www.delta-power.com



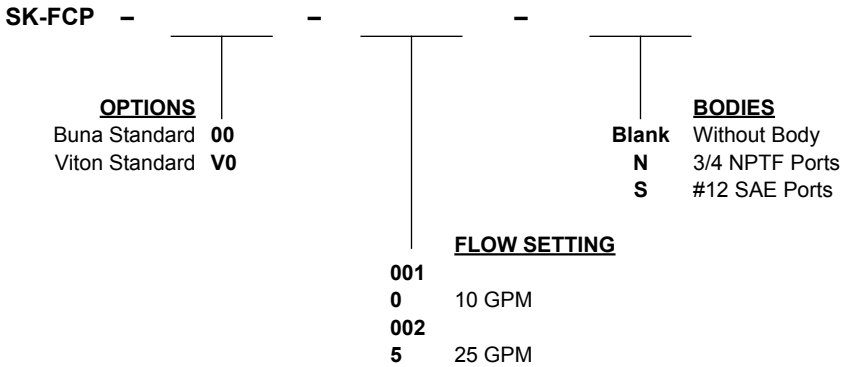
Via Malavolti, 36 • 41122 Modena • ITALY • Phone +39 (059) 254895 • Fax +39 (059) 253512  
 mail: tecnord@tecnord.com • www.tecnord.com

**DIMENSIONS**



Body Weight: 2.46 lbs (1.11 kg)

**ORDERING INFORMATION**



Additional flow settings available upon request

W7 / 2017

**WARNING:** the specifications/application data shown in our catalogs and data sheets are intended only as a general guide for the product described (herein). Any specific application should not be undertaken without independent study, evaluation, and testing for suitability.



4484 Boeing Drive Rockford, IL 61109 • USA • Phone +1 (815) 397-6628 • Fax +1 (815) 397-2526  
 mail: delta@delta-power.com • www.delta-power.com



Via Malavolti, 36 • 41122 Modena • ITALY • Phone +39 (059) 254895 • Fax +39 (059) 253512  
 mail: tecnord@tecnord.com • www.tecnord.com