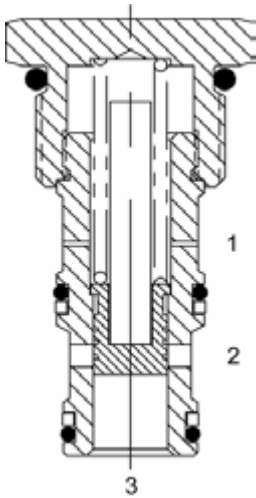


DF-PCR PRESSURE COMPENSATING REGULATOR VALVE



DESCRIPTION

10 size, 7/8-14 thread, "Delta" series, pressure compensating regulator valve.

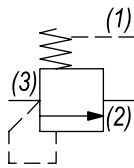
OPERATION

The DF-PCR-0P with an orifice between ports (3) and (1) maintains a constant flow rate from (3) regardless of load pressure changes in the system upstream of (3), or in the bypass leg at (2) as long as pressure at (2) is less than (1). The valve's spool maintains a constant differential pressure across an external orifice, thereby regulating the hydraulic flow rate from (3) to (2) (see options table for pressure ranges). When used with an orifice as described above, as a priority type regulator, delivering pump flow first to (3), then bypassing excess to (2). All ports may be fully pressurized. The DF-PCR-0V with a dump valve and a pilot relief valve at (1) acts as main stage of a ventable relief valve.

FEATURES

- Hardened parts for long life.
- Industry common cavity.

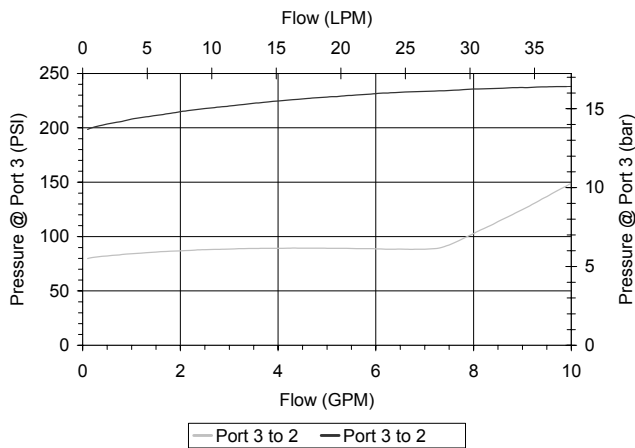
HYDRAULIC SYMBOL



Can be used as a logic element. DF-PCR-oP is commonly used as a bypass flow regulator (80 PSI recommended). DF-PCR-oV is commonly used as the main stage of a ventable relief valve (40 and 80 PSI recommended).

PERFORMANCE

Actual Test Data (Cartridge Only)

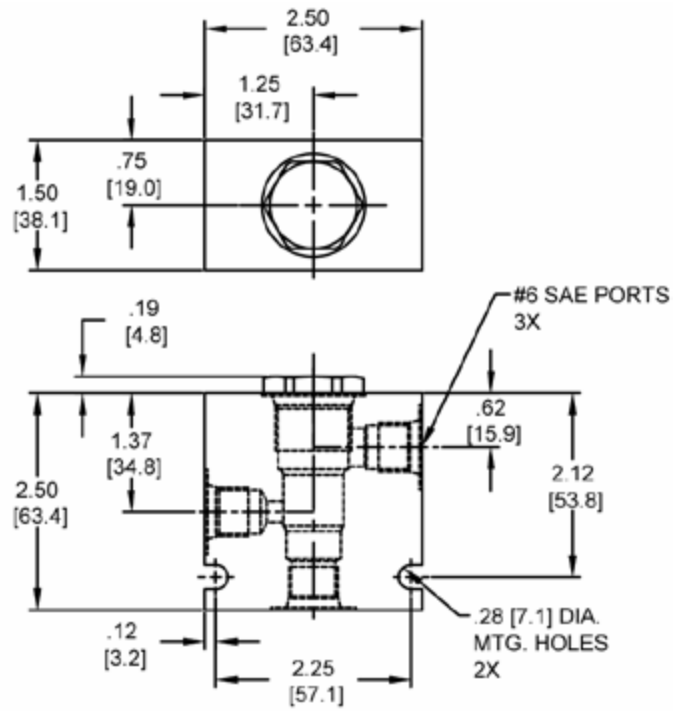
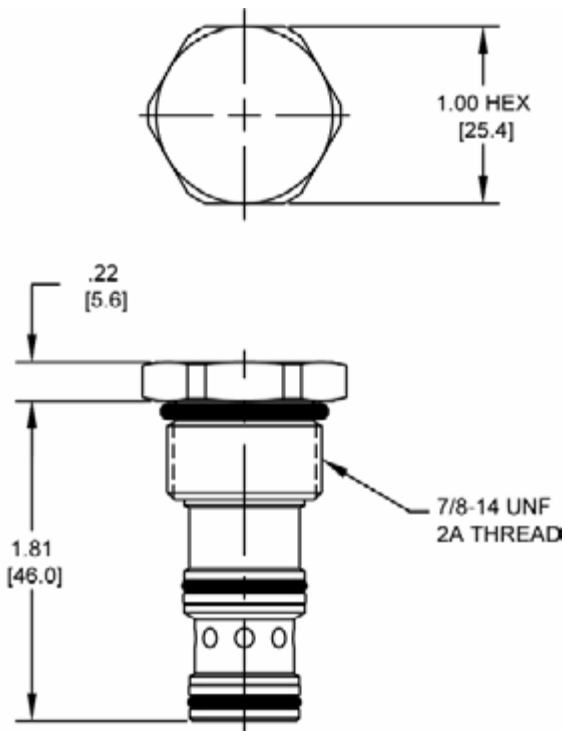


VALVE SPECIFICATIONS

Nominal Flow	10 GPM (38 LPM)
Rated Operating Pressure	3500 PSI (241 bar)
Seat Ratio	Area of Pilot is equal to the area at Port (3)
Viscosity Range	36 to 3000 SSU (3 to 647 cSt)
Filtration	ISO 18/16/13
Media Operating Temp. Range	-40° to 250°F (-40° to 120°C)
Weight	.19 lbs (.09 kg)
Operating Fluid Media	General Purpose Hydraulic Fluid
Cartridge Torque Requirements	30 ft-lbs (40.6 Nm)
Cavity	DELTA 3W
Cavity Form Tool (Finishing)	40500001
Seal Kit	21191206

WARNING: the specifications/application data shown in our catalogs and data sheets are intended only as a general guide for the product described (herein). Any specific application should not be undertaken without independent study, evaluation, and testing for suitability.

DIMENSIONS



Body Weight: .76 lbs (.35 kg)

ORDERING INFORMATION

<p>DF-PCR -</p> <p>OPTIONS</p> <p>Buna, Pilot to Close 0P Viton, Pilot to Close VP Buna, Vent to Open 0V Viton, Vent to Open VV</p>	<p>-</p> <p>-</p> <p>-</p> <p>-</p>	<p>BODIES</p> <p>Blank Without Body N 1/4" NPTF Ports S #6 SAE Ports</p> <p>PRESSURE SETTING</p> <p>0040 40 PSI 0080 80 PSI 0150 150 PSI 0200 200 PSI</p>
--	-------------------------------------	--

W 50/ 2022

WARNING: the specifications/application data shown in our catalogs and data sheets are intended only as a general guide for the product described (herein). Any specific application should not be undertaken without independent study, evaluation, and testing for suitability.