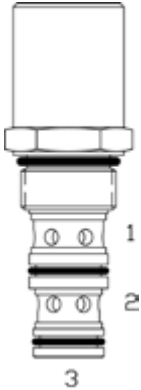


PP-PCC FIXED PRESSURE COMPENSATING REGULATOR VALVE - RESTRICTIVE TYPE



DESCRIPTION

8 size, 3/4-16 thread, "Power" series, pressure compensating regulator valve (restrictive type).

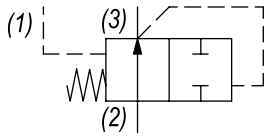
OPERATION

The PP-PCC-00 with an external orifice beyond port (3) and sensed by port (1) maintains a constant flow rate from (3) regardless of load pressure changes in the system downstream of (3), or in the inlet at (2) as long as pressure at (3) is above (1) by more than spring setting chosen and pump supply is in excess of demand. The valve's spool maintains a constant differential pressure across an external orifice, thereby regulating the hydraulic flow rate across this external orifice (see options table for pressure ranges). When used with an orifice as described above, it functions as a restrictive type regulator, delivering pump flow through the external orifice. All ports may be fully pressurized.

FEATURES

- Hardened parts for long life.
- Industry common cavity.

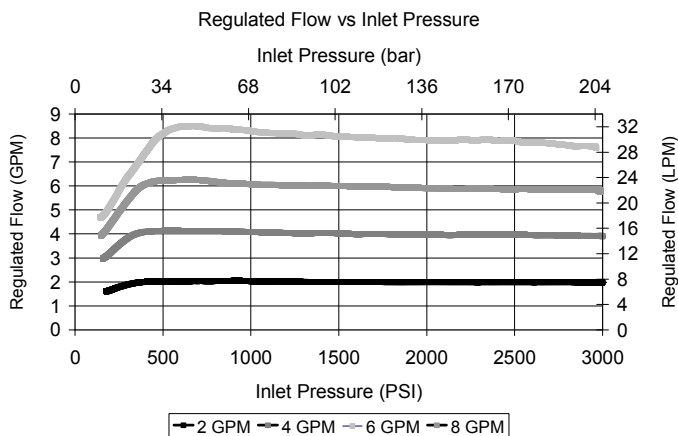
HYDRAULIC SYMBOL



Can be used as a logic element. Fixed setting pressure reducing valve. For adjustable setting see PP-PCD. PP-PCC-00-0100 is recommended for regulated flows up to 4.0 GPM only. PP-PCC-00-0220 is recommended for regulated flows up to 8.0 GPM. For fixed pressure reducing/relieving valve see PP-PCP.

PERFORMANCE

Actual Test Data (Cartridge Only)



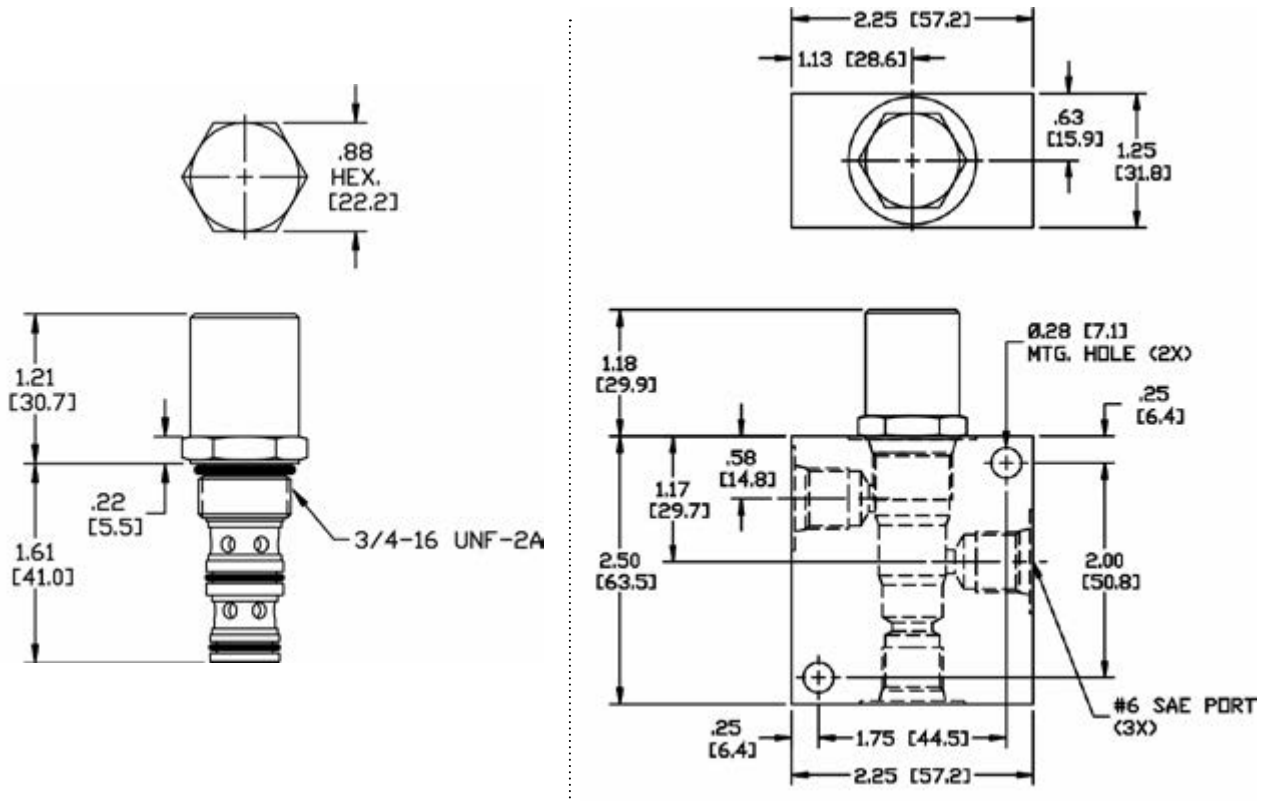
VALVE SPECIFICATIONS

| | |
|-------------------------------|--|
| Nominal Flow | 8 GPM (30 LPM) |
| Rated Operating Pressure | 3000 PSI (207 bar) |
| Ratio | Area of Pilot is equal to the area at Port (3) |
| Viscosity Range | 36 to 3000 SSU (3 to 647 cSt) |
| Filtration | ISO 18/16/13 |
| Media Operating Temp. Range | -40° to 250°F (-40° to 120°C) |
| Weight | .25 lbs (.11 kg) |
| Operating Fluid Media | General Purpose Hydraulic Fluid |
| Cartridge Torque Requirements | 25 ft-lbs (34 Nm) |
| Cavity | POWER 3W |
| Cavity Form Tool (Finishing) | 40500024 |
| Seal Kit | 21191111 |

WARNING: the specifications/application data shown in our catalogs and data sheets are intended only as a general guide for the product described (herein). Any specific application should not be undertaken without independent study, evaluation, and testing for suitability.

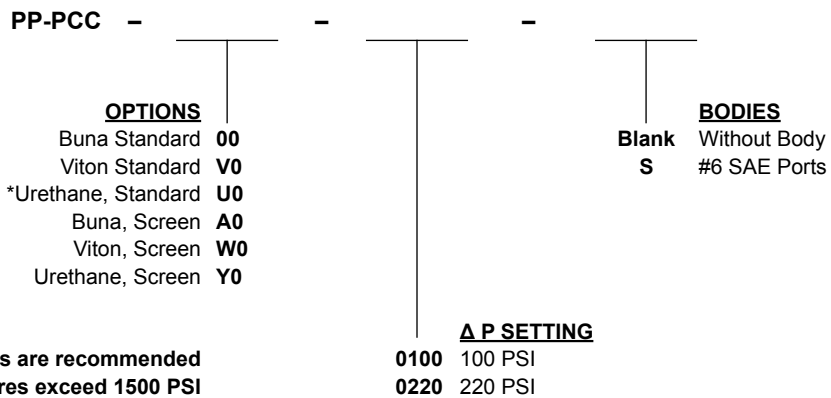
Via Malavolti, 36 - 41122 Modena - ITALY - Phone +39 (059) 254895 - Fax +39 (059) 253512 - mail: tecnord@tecnord.com - www.tecnord.com

DIMENSIONS



Body Weight: .56 lbs (.25 kg)

ORDERING INFORMATION



*Urethane seals are recommended when inlet pressures exceed 1500 PSI

WARNING: the specifications/application data shown in our catalogs and data sheets are intended only as a general guide for the product described (herein). Any specific application should not be undertaken without independent study, evaluation, and testing for suitability.