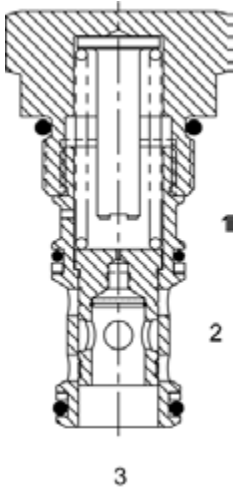


TR-PCA PRESSURE COMPENSATING REGULATOR VALVE



DESCRIPTION

12 size, 1 1/16-12 thread, "Tecnomd" series, pressure compensating regulator valve.

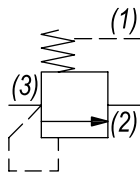
OPERATION

The TR-PCA-0P with an orifice between ports (3) and (1) maintains a constant flow rate from (3) regardless of load pressure changes in the system upstream of (3), or in the bypass leg at (2) as long as pressure at (2) is less than (1). The valve's spool maintains a constant differential pressure across an external orifice, thereby regulating the hydraulic flow rate across this external orifice (see options table for pressure ranges). When used with an orifice as described above, it functions as a priority type regulator, delivering pump flow first to the external orifice, then bypassing excess to (2). All ports may be fully pressurized. The TR-PCA-0V with a dump valve and a pilot relief valve at (1) acts as main stage of a ventable relief valve.

FEATURES

- Hardened parts for long life.
- Industry common cavity.

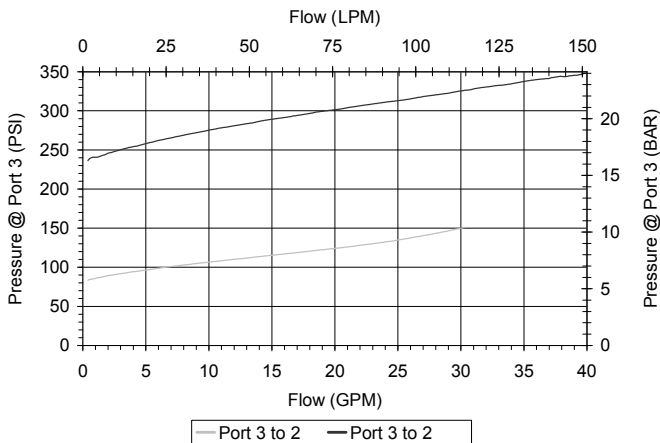
HYDRAULIC SYMBOL



Can be used as a logic element. TR-PCA-0P is commonly used as a bypass flow regulator (90 and 150 PSI recommended). TR-PCA-0V is commonly used as the main stage of a ventable relief valve (50 and 90 PSI recommended).

PERFORMANCE

Actual Test Data (Cartridge Only)



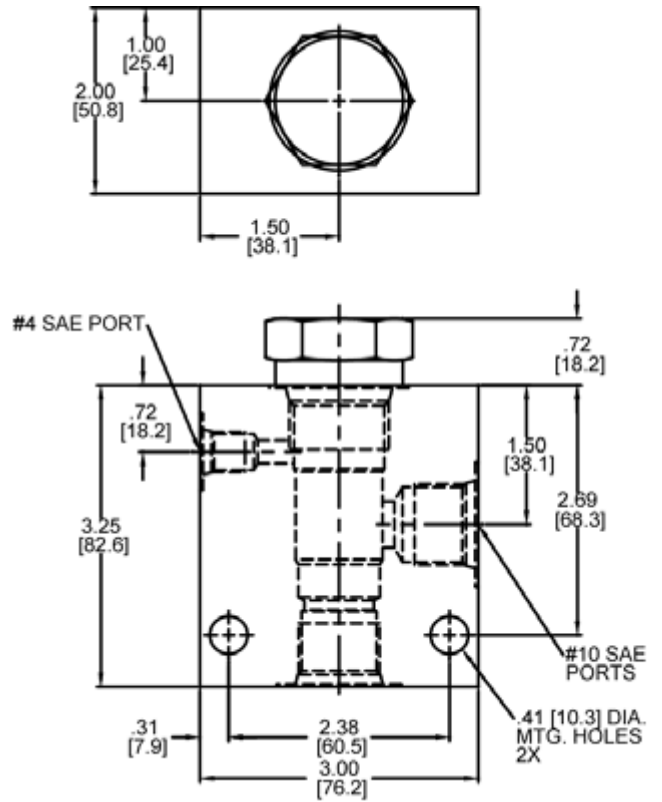
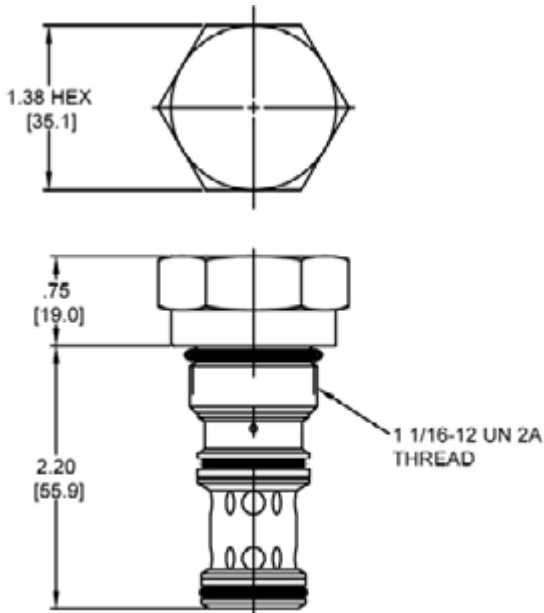
VALVE SPECIFICATIONS

Nominal Flow	40 GPM (151 LPM)
Rated Operating Pressure	3500 PSI (241 bar)
Seat Ratio	Area of Pilot is equal to the area at Port (3)
Viscosity Range	36 to 3000 SSU (3 to 647 cSt)
Filtration	ISO 18/16/13
Media Operating Temp. Range	-40° to 250°F (-40° to 120°C)
Weight	.54 lbs (.24 kg)
Operating Fluid Media	General Purpose Hydraulic Fluid
Cartridge Torque Requirements	70 ft-lbs (95 Nm)
Cavity	TECNORD 3WS
Cavity Form Tool (Finishing)	40500033
Seal Kit	21191306

WARNING: the specifications/application data shown in our catalogs and data sheets are intended only as a general guide for the product described (herein). Any specific application should not be undertaken without independent study, evaluation, and testing for suitability.

Via Malavolti, 36 - 41122 Modena - ITALY - Phone +39 (059) 254895 - Fax +39 (059) 253512 - mail: tecnord@tecnord.com - www.tecnord.com

DIMENSIONS



Body Weight: 1.56 lbs (.70 kg)

ORDERING INFORMATION

<p>TR-PCA -</p> <p>OPTIONS</p> <p>Buna, Pilot to Close 0P</p> <p>Viton, Pilot to Close VP</p> <p>Buna, Vent to Open 0V</p> <p>Viton, Vent to Open VV</p>	<p>-</p> <p>-</p> <p>-</p>	<p>BODIES</p> <p>Blank Without Body</p> <p>S #10 SAE Ports</p>
<p>Δ P SETTING</p> <p>@ 1 GPM with Pilot Vented</p> <p>0020 20 PSI</p> <p>0050 50 PSI</p> <p>0090 90 PSI</p> <p>0150 150 PSI</p> <p>0230 230 PSI</p> <p>±10%</p>		