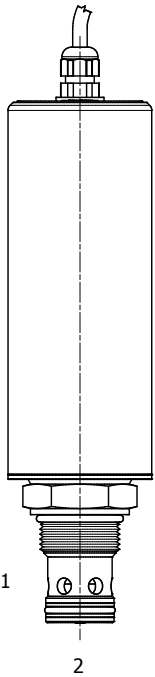


**AJ-NVA** MOTORIZED NEEDLE FLOW CONTROL VALVE



**DESCRIPTION**

16 size, 1 5/16-12 thread, "Super" series, motorized needle flow control valve.

**OPERATION**

The AJ-NVA can be adjusted to any position between fully open and fully closed by applying electrical power to the motor. The amount of valve opening does not change unless the electric motor is activated. When adjusted open, the valve allows flow from (1) to (2) and (2) to (1). When fully closed the valve blocks flow from (1) to (2) and (2) to (1).

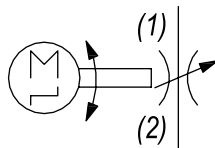
**FEATURES**

- Hardened parts for long life.
- Industry common cavity.

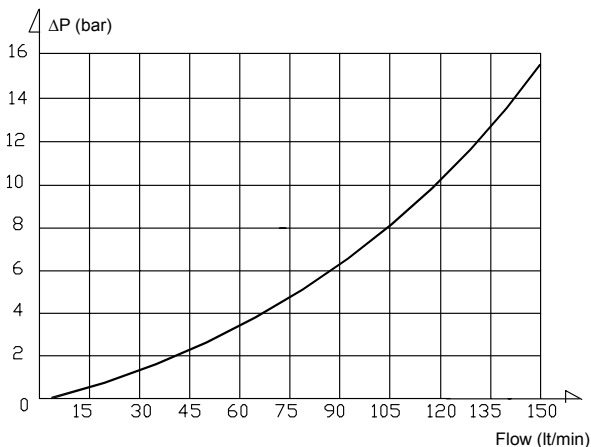


*Adjustable via 12/24 VDC signal, no electronic driver required. A built-in position transducer with an analog output is available on request.*

**HYDRAULIC SYMBOL**



**PERFORMANCE**



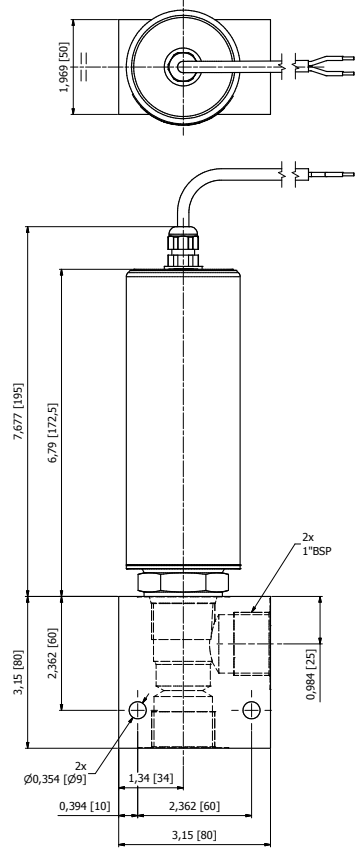
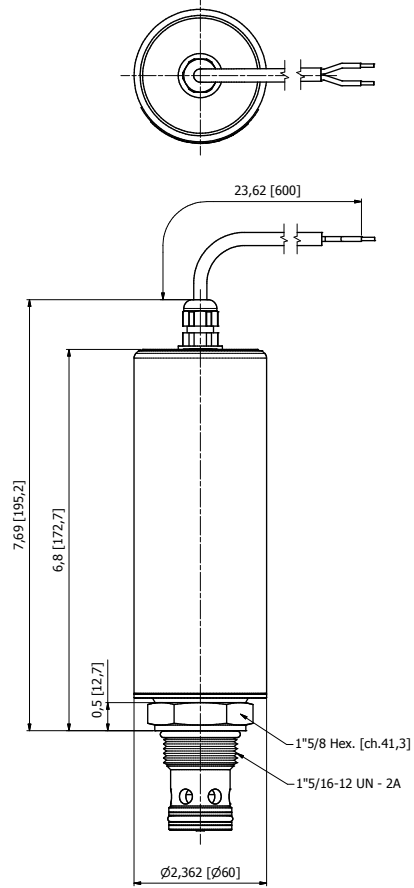
**VALVE SPECIFICATIONS**

Max Controlled Flow	40 GPM (150 LPM) @ 15 bar Delta P
Max Operating Pressure	3500 PSI (241 bar)
Viscosity Range	36 to 3000 SSU (3 to 647 cSt)
Filtration	ISO 18/16/13
Media Operating Temp. Range	-40° to 250°F (-40° to 120°C)
Weight	2.24 lbs (1.02 kg)
Operating Fluid Media	General Purpose Hydraulic Fluid
Cartridge Torque Requirements	90 ft-lbs (122 Nm)
Current Draw	300 mA (12 VDC) / 150 mA (24 VDC)
Electrical Connection	Double lead wire - Length: 50-60 cm
Cavity	SUPER 2W
Cavity Tools Kit (form tool, reamer, tap)	40500017
Seal Kit	21191401

Gear ratio	Response time (full closed to full open)
100	12 sec.
250	28 sec.
500	55 sec.

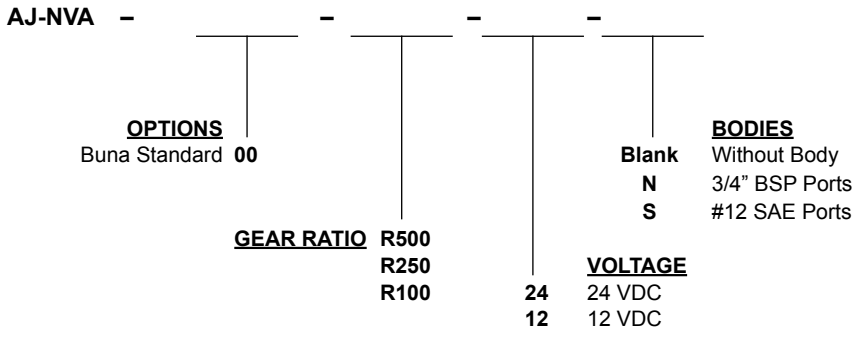
**WARNING:** the specifications/application data shown in our catalogs and data sheets are intended only as a general guide for the product described (herein). Any specific application should not be undertaken without independent study, evaluation, and testing for suitability.

**DIMENSIONS**



(for bodies style and sizes see section "Accessories")

**ORDERING INFORMATION**



Note: Dual lead termination (60 cm long.)

**WARNING:** the specifications/application data shown in our catalogs and data sheets are intended only as a general guide for the product described (herein). Any specific application should not be undertaken without independent study, evaluation, and testing for suitability.