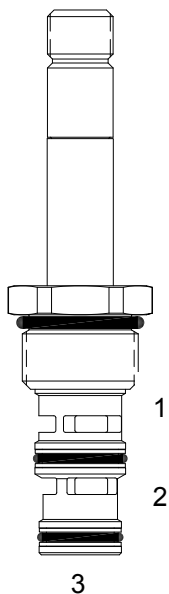


**DF-S3A DIRECT ACTING SPOOL, 3 WAY 2 POSITION**



**DESCRIPTION**

10 size, 7/8-14 thread, "Delta" series, solenoid operated, 3 way 2 position, spool valve.

**OPERATION**

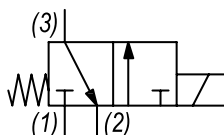
When de-energized the DF-S3A allows flow from (3) to (2) and blocks flow at port (1). When energized the valve allows flow from (1) to (3) and blocks flow at port (2).

**OPERATION OF MANUAL OVERRIDE OPTION:** to override, turn the manual override screw counterclockwise. To release turn the manual override screw clockwise.

**FEATURES**

- Hardened parts for long life.
- Efficient wet-armature construction.
- Cartridges are voltage interchangeable.
- Manual override option.
- Industry common cavity.
- Unitized, molded coil design.
- Continuous duty rated solenoid.
- Optional coil voltages and terminations.
- Optional "I" Coil: Weatherproof, Thermal Shock, Immersion Safe.

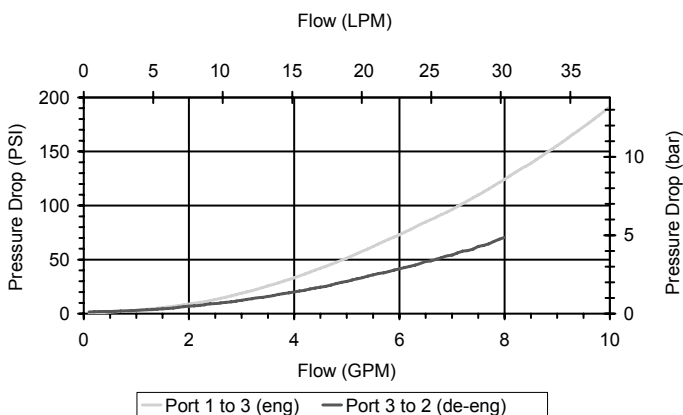
**HYDRAULIC SYMBOL**



*Common lift/lower valve where load holding is not required. For higher pressures see HF-S3A.*

**PERFORMANCE**

Actual Test Data (Cartridge Only)



**VALVE SPECIFICATIONS**

Nominal Flow	10 GPM (38 LPM)
Rated Operating Pressure	3000 PSI (207 bar)
Typical Internal Leakage (150 SSU)	5 cu in/min (82 ml/min)
Viscosity Range	36 to 3000 SSU (3 to 647 cSt)
Filtration	ISO 18/16/13
Media Operating Temp. Range	-40° to 250°F (-40° to 120°C)
Weight	.28 lbs (.12 kg)
Operating Fluid Media	General Purpose Hydraulic Fluid
Cartridge Torque Requirements	30 ft-lbs (40.6 Nm)
Coil Nut Torque Requirements	4-6 ft-lbs (5.4-8.1 Nm)
Cavity	DELTA 3W
Cavity Tools Kit	
(form tool, reamer, tap)	40500001
Seal Kit	21191210

**WARNING:** the specifications/application data shown in our catalogs and data sheets are intended only as a general guide for the product described (herein). Any specific application should not be undertaken without independent study, evaluation, and testing for suitability.

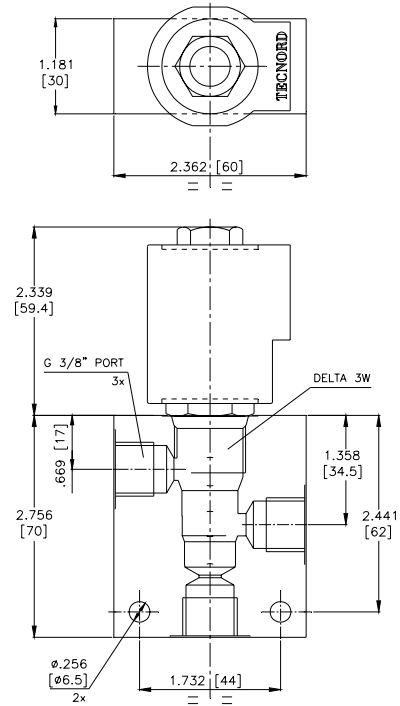
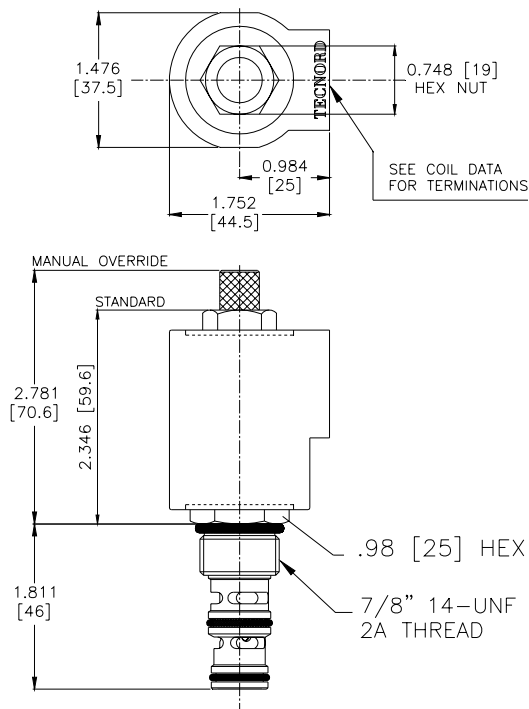


4484 Boeing Drive Rockford, IL 61109 • USA • Phone +1 (815) 397-6628 • Fax +1 (815) 397-2526  
mail: delta@delta-power.com • www.delta-power.com



Via Malavolti, 36 • 41122 Modena • ITALY • Phone +39 (059) 254895 • Fax +39 (059) 253512  
mail: tecnord@tecnord.com • www.tecnord.com

**DIMENSIONS**



**ORDERING INFORMATION**

Approximate Coil Weight: .56 lbs (.25 kg)

**DF-S3A** - - - -

- OPTIONS**
- Buna Standard **00**
  - Viton Standard **V0**
  - Buna, Override, Detent **0M**
  - Viton, Override, Detent **VM**
  - Buna, Screen **A0**
  - Viton, Screen **W0**
  - Buna, Screen, Override **B2**
  - Viton, Screen, Override **V2**

**Note: use screen only if flow direction is from (1) to (2)**

- BODIES**
- Blank** Without Body
  - N** 3/8" BSP Ports
  - S** #6 SAE Ports

- VOLTAGE** (other voltages available on request)
- 12** 12 VDC
  - 24** 24 VDC
  - 22** 220 VAC without internal rectifier

**"V" COIL TERMINATION**  
(All DC Except as Noted)

**DL** Double Lead  
(several types of termination can be attached on leads on request)

**HC** DIN 43650 (Hirschmann) - (AC&DC)  
**DI** Deutsch - Integral DT04-2P

**IMMERSION PROOF "D" TYPE**

- DIA** "1" Coil AMP Superseal - Integral
- DID** "1" Coil Deutsch - Integral DT04-2P
- DIJ** "1" Coil AMP Jr. Timer - Integral
- DIM** "1" Coil Metri-Pack - Integral

W 40 / 2017

**WARNING:** the specifications/application data shown in our catalogs and data sheets are intended only as a general guide for the product described (herein). Any specific application should not be undertaken without independent study, evaluation, and testing for suitability.



4484 Boeing Drive Rockford, IL 61109 • USA • Phone +1 (815) 397-6628 • Fax +1 (815) 397-2526  
mail: delta@delta-power.com • www.delta-power.com



Via Malavolti, 36 • 41122 Modena • ITALY • Phone +39 (059) 254895 • Fax +39 (059) 253512  
mail: tecnord@tecnord.com • www.tecnord.com