

**EC-VIS-G-D128X64-P GRAPHIC DISPLAY UNIT****DESCRIPTION**

Graphic Display Unit to be used as operator's interface in complex Machine Management Systems.

**FEATURES**

- Compact control unit to be fixed inside a cabin.
- Robust suction cup on the rear.
- CANbus connection.
- Graphic display 128 x 64 dots backlit.

**MECHANICAL / ENVIRONMENTAL SPECIFICATIONS**

Dimensions:	131 x 100.5 x 20.8 mm
Housing:	Plastic body Membrane keypad
Operating temperature:	-25 / 85°C
Degree of protection:	IP 67
Connector:	Molex Minifit 20 poles

**ELECTRICAL SPECIFICATIONS****Display**

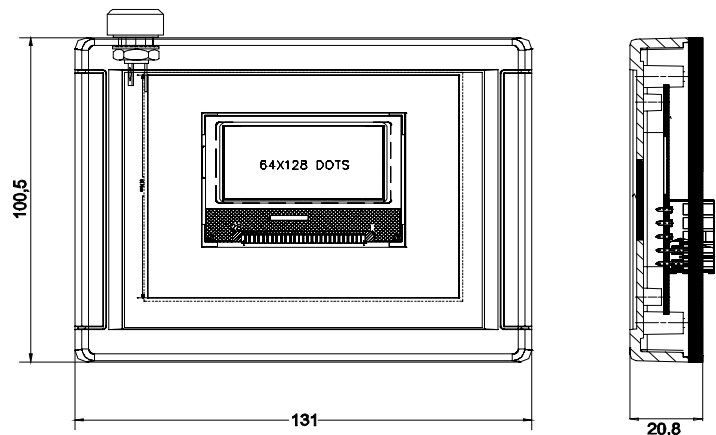
Type and size:	graphic
Resolution:	128 x 64 dot-matrix
Viewing area:	50 x 25 mm
Backlight:	led
Backlight color:	white
Viewing angle range:	40°

**ELECTRONIC CONTROL UNIT**

Operating voltage:	8.5÷30 VDC
Communication interfaces:	CANbus SAE J1939
Analog inputs (10 bits):	4 (0-5 V)
Digital inputs:	5
High side power outputs:	4 (3.5 A max each)
Internal inputs:	
for current feedback:	4
PWM output current range:	100 - 1500 mA
Membrane keypad with:	
Pushbuttons:	9
SMD leds:	9
Control potentiometer on the top:	1

**APPLICATIONS**

- 12 VDC and 24 VDC systems.
- Service/Maintenance Tool.
- Diagnostic/Configuration unit for Hedgecutters.
- In-cab terminal.

**DIMENSIONS**

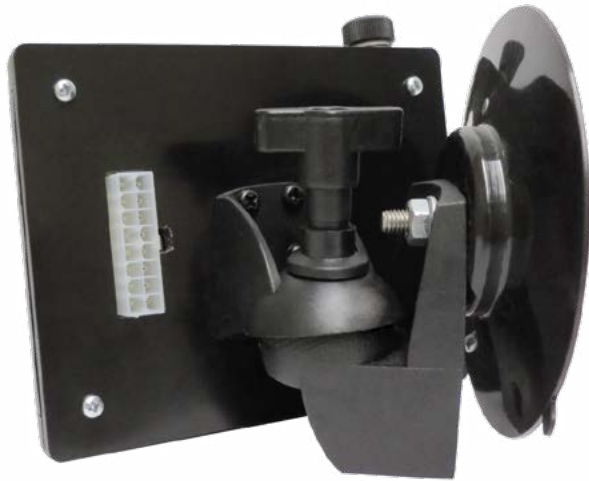
**WARNING:** the specifications/application data shown in our catalogs and data sheets are intended only as a general guide for the product described (herein). Any specific application should not be undertaken without independent study, evaluation, and testing for suitability.

**EC-VIS-G-D128X64-P GRAPHIC DISPLAY UNIT**

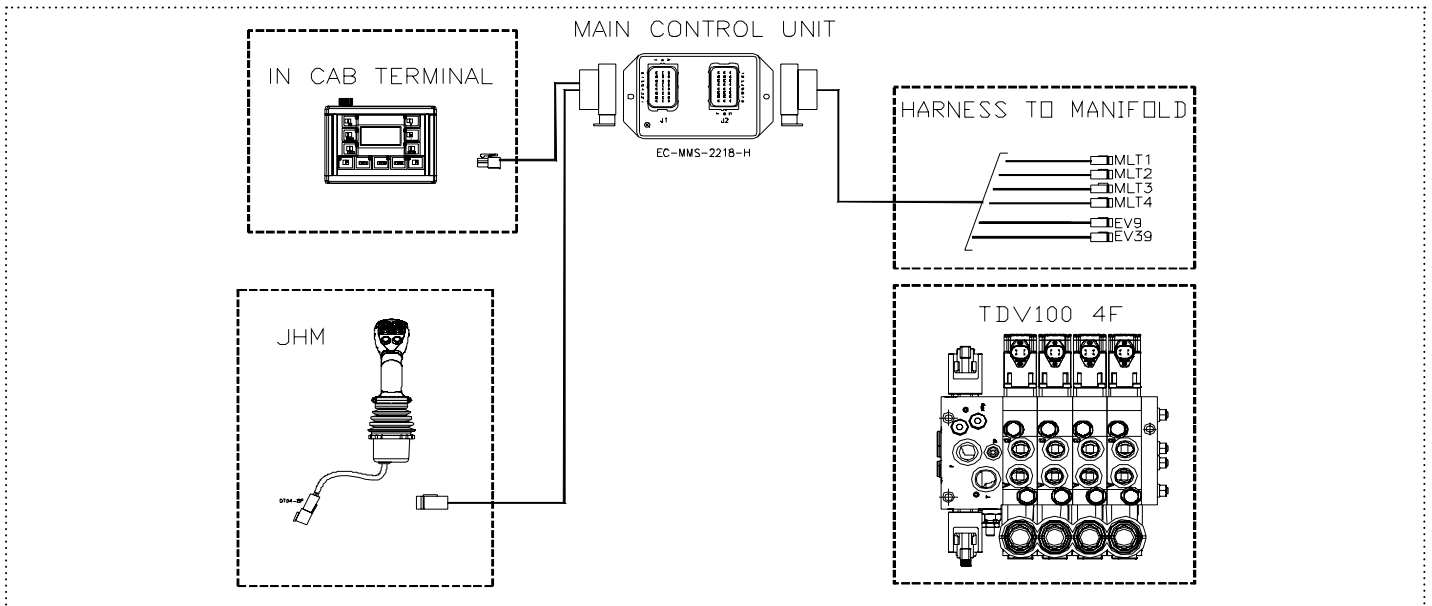
**CIRCUIT BOARD PINOUT - WIRING DIAGRAM**

Connector type: Molex Minifit

- |                    |                 |
|--------------------|-----------------|
| 1 -V (POWER - GND) | 11 +V (POWER)   |
| 2 CAN H            | 12 CAN L        |
| 3 ANALOG IN 2      | 13 ANALOG IN 3  |
| 4 ANALOG IN 0      | 14 ANALOG IN 1  |
| 5 DIGITAL IN 2     | 15 DIGITAL IN 3 |
| 6 DIGITAL IN 0     | 16 DIGITAL IN 1 |
| 7 DIGITAL IN 4     | 17 OUT P0       |
| 8 OUT P1           | 18 OUT P2       |
| 9 N.C.             | 19 OUT P3       |
| 10 N.C.            | 20 +5 V EXT     |



**APPLICATION EXAMPLE**



**ORDERING INFORMATION**

**EC-VIS-G-D128X64-P**

